**FAG****53201**

Axial deep groove ball bearing

Axial deep groove ball bearing 532, single direction, with spherical housing washer, steel sheet metal cage

Technical information

Main Dimensions & Performance Data

d	12 mm	Inner diameter shaft washer
D	28 mm	Outer diameter housing washer
T	11,4 mm	Height
C _a	13.200 N	Basic dynamic load rating, axial
C _{0a}	19.000 N	Basic static load rating, axial
C _{ua}	870 N	Fatigue load limit, axial
n _G	11.300 1/min	Limiting speed
n _{gr}	16.900 1/min	Reference speed
≈m	30 g	Weight

Mounting dimensions

d _{a min}	22 mm	Minimum diameter shaft shoulder
D _{a max}	20 mm	Maximum diameter of housing shoulder
r _{a max}	0,6 mm	Maximum filled radius

Dimensions

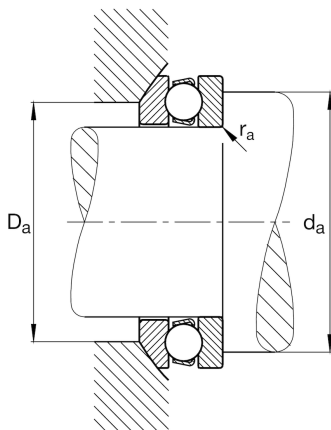
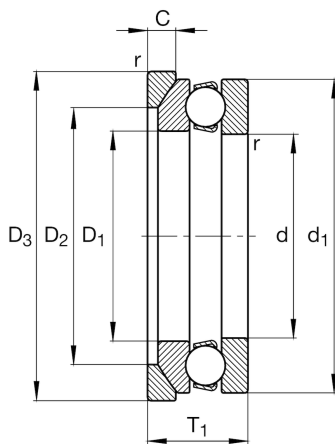
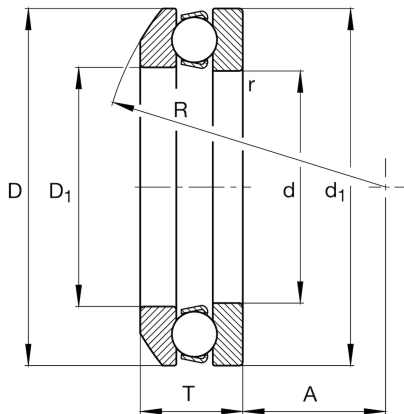
r _{min}	0,6 mm	Minimum chamfer dimension
D ₁	14 mm	Inner diameter housing washer
d ₁	28 mm	Outer diameter shaft washer
R	25 mm	Radius spherical housing washer
A	11,5 mm	Distance of the center point
T ₁	13 mm	Height with seat washer

Temperature range

T _{min}	-30 °C	Operating temperature min.
T _{max}	150 °C	Operating temperature max.

Calculation factors

A	0,002	Minimum load factor
---	-------	---------------------





View product details on medias

12.04.2024, 14:49:37 CEST

SCHAEFFLER

Additional information

U201

Seat washer

