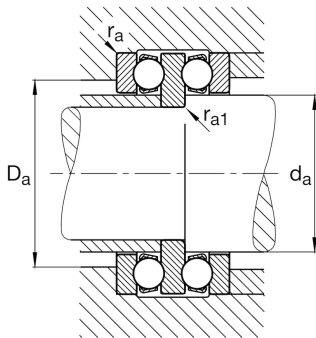
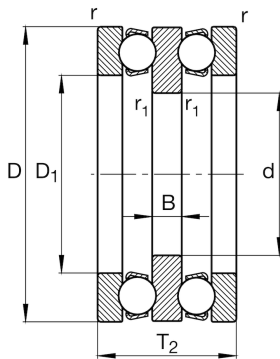
**FAG****52409**

Axial deep groove ball bearing

Axial deep groove ball bearing 524, double direction, steel sheet metal cage

## Technical information



## Main Dimensions &amp; Performance Data

d	35 mm	Inner diameter shaft washer
D	100 mm	Outer diameter housing washer
T <sub>2</sub>	72 mm	Height
C <sub>a</sub>	123.000 N	Basic dynamic load rating, axial
C <sub>0a</sub>	222.000 N	Basic static load rating, axial
C <sub>ua</sub>	10.100 N	Fatigue load limit, axial
n <sub>G</sub>	2.850 1/min	Limiting speed
n <sub>gr</sub>	6.500 1/min	Reference speed
≈m	2,642 kg	Weight

## Mounting dimensions

d <sub>a max</sub>	45 mm	Maximum diameter shaft shoulder
D <sub>a max</sub>	67 mm	Maximum diameter of housing shoulder
r <sub>a max</sub>	1 mm	Maximum filled radius
r <sub>a1 max</sub>	0,6 mm	Maximum filled radius

## Dimensions

D <sub>1</sub>	47 mm	Inner diameter housing washer
B	17 mm	Height shaft washer
r <sub>min</sub>	1,1 mm	Minimum chamfer dimension
r <sub>1 min</sub>	0,6 mm	Minimum chamfer dimension

## Temperature range

T <sub>min</sub>	-30 °C	Operating temperature min.
T <sub>max</sub>	150 °C	Operating temperature max.

## Calculation factors

A	0,29	Minimum load factor
---	------	---------------------