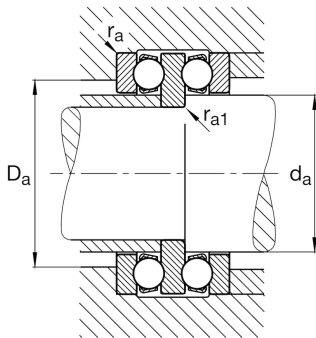
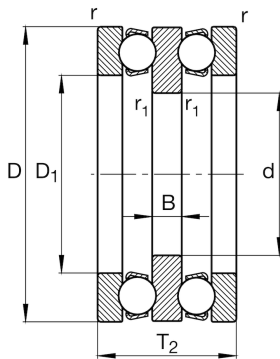


**FAG****52311**

Axial deep groove ball bearing

Axial deep groove ball bearing 523, double direction, steel sheet metal cage

Technical information



Main Dimensions & Performance Data

| | | |
|-----------------|-------------|----------------------------------|
| d | 45 mm | Inner diameter shaft washer |
| D | 105 mm | Outer diameter housing washer |
| T ₂ | 64 mm | Height |
| C _a | 102.000 N | Basic dynamic load rating, axial |
| C _{0a} | 207.000 N | Basic static load rating, axial |
| C _{ua} | 9.500 N | Fatigue load limit, axial |
| n _G | 3.200 1/min | Limiting speed |
| n _{gr} | 5.700 1/min | Reference speed |
| ≈m | 2,312 kg | Weight |

Mounting dimensions

| | | |
|---------------------|--------|--------------------------------------|
| d _{a max} | 55 mm | Maximum diameter shaft shoulder |
| D _{a max} | 75 mm | Maximum diameter of housing shoulder |
| r _{a max} | 1 mm | Maximum filled radius |
| r _{a1 max} | 0,6 mm | Maximum filled radius |

Dimensions

| | | |
|--------------------|--------|-------------------------------|
| D ₁ | 57 mm | Inner diameter housing washer |
| B | 15 mm | Height shaft washer |
| r _{min} | 1,1 mm | Minimum chamfer dimension |
| r _{1 min} | 0,6 mm | Minimum chamfer dimension |

Temperature range

| | | |
|------------------|--------|----------------------------|
| T _{min} | -30 °C | Operating temperature min. |
| T _{max} | 150 °C | Operating temperature max. |

Calculation factors

| | | |
|---|------|---------------------|
| A | 0,26 | Minimum load factor |
|---|------|---------------------|