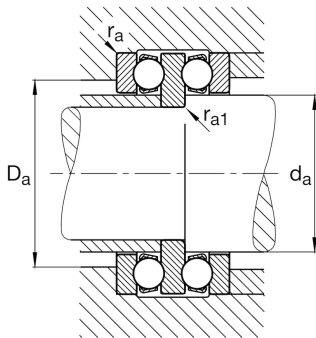
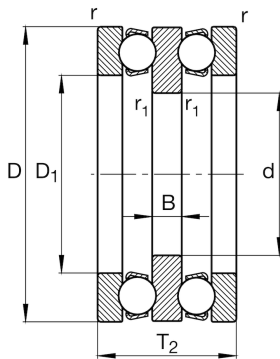


**FAG****52309**

Axial deep groove ball bearing

Axial deep groove ball bearing 523, double direction, steel sheet metal cage

Technical information



Main Dimensions & Performance Data

d	35 mm	Inner diameter shaft washer
D	85 mm	Outer diameter housing washer
T ₂	52 mm	Height
C _a	75.000 N	Basic dynamic load rating, axial
C _{0a}	140.000 N	Basic static load rating, axial
C _{ua}	6.500 N	Fatigue load limit, axial
n _G	3.800 1/min	Limiting speed
n _{gr}	6.500 1/min	Reference speed
≈m	1,236 kg	Weight

Mounting dimensions

d _{a max}	45 mm	Maximum diameter shaft shoulder
D _{a max}	61 mm	Maximum diameter of housing shoulder
r _{a max}	1 mm	Maximum filled radius
r _{a1 max}	0,6 mm	Maximum filled radius

Dimensions

D ₁	47 mm	Inner diameter housing washer
B	12 mm	Height shaft washer
r _{min}	1 mm	Minimum chamfer dimension
r _{1 min}	0,6 mm	Minimum chamfer dimension

Temperature range

T _{min}	-30 °C	Operating temperature min.
T _{max}	150 °C	Operating temperature max.

Calculation factors

A	0,12	Minimum load factor
---	------	---------------------