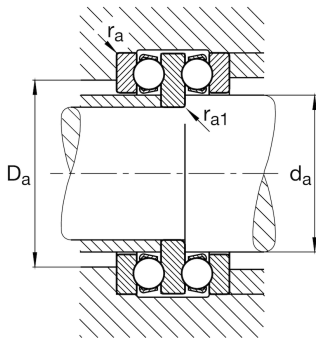
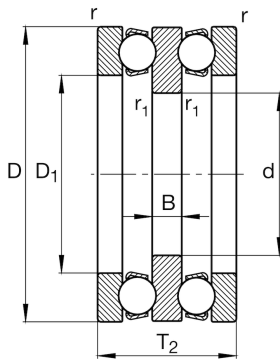


**FAG****52306**

Axial deep groove ball bearing

Axial deep groove ball bearing 523, double direction, steel sheet metal cage

## Technical information

**Main Dimensions & Performance Data**

d	25 mm	Inner diameter shaft washer
D	60 mm	Outer diameter housing washer
T <sub>2</sub>	38 mm	Height
C <sub>a</sub>	35.500 N	Basic dynamic load rating, axial
C <sub>0a</sub>	65.000 N	Basic static load rating, axial
C <sub>ua</sub>	2.950 N	Fatigue load limit, axial
n <sub>G</sub>	5.700 1/min	Limiting speed
n <sub>gr</sub>	8.600 1/min	Reference speed
≈m	435 g	Weight

**Mounting dimensions**

d <sub>a max</sub>	30 mm	Maximum diameter shaft shoulder
D <sub>a max</sub>	42 mm	Maximum diameter of housing shoulder
r <sub>a max</sub>	1 mm	Maximum filled radius
r <sub>a1 max</sub>	0,3 mm	Maximum filled radius

**Dimensions**

D <sub>1</sub>	32 mm	Inner diameter housing washer
B	9 mm	Height shaft washer
r <sub>min</sub>	1 mm	Minimum chamfer dimension
r <sub>1 min</sub>	0,3 mm	Minimum chamfer dimension

**Temperature range**

T <sub>min</sub>	-30 °C	Operating temperature min.
T <sub>max</sub>	150 °C	Operating temperature max.

**Calculation factors**

A	0,028	Minimum load factor
---	-------	---------------------