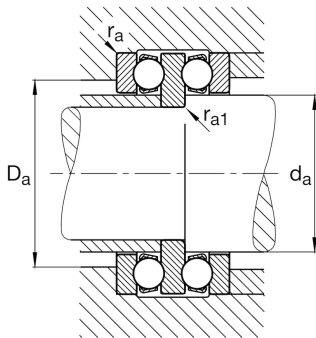
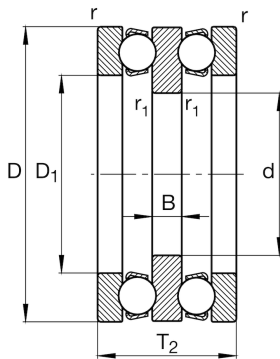


**FAG****52226**

Axial deep groove ball bearing

Axial deep groove ball bearing 522, double direction, steel sheet metal cage

Technical information



Main Dimensions & Performance Data

d	110 mm	Inner diameter shaft washer
D	190 mm	Outer diameter housing washer
T ₂	80 mm	Height
C _a	184.000 N	Basic dynamic load rating, axial
C _{0a}	540.000 N	Basic static load rating, axial
C _{ua}	19.500 N	Fatigue load limit, axial
n _G	2.210 1/min	Limiting speed
n _{gr}	2.950 1/min	Reference speed
≈m	7,05 kg	Weight

Mounting dimensions

d _{a max}	130 mm	Maximum diameter shaft shoulder
D _{a max}	154 mm	Maximum diameter of housing shoulder
r _{a max}	1,5 mm	Maximum filled radius
r _{a1 max}	1 mm	Maximum filled radius

Dimensions

D ₁	133 mm	Inner diameter housing washer
B	18 mm	Height shaft washer
r _{min}	1,5 mm	Minimum chamfer dimension
r _{1 min}	1,1 mm	Minimum chamfer dimension

Temperature range

T _{min}	-30 °C	Operating temperature min.
T _{max}	150 °C	Operating temperature max.

Calculation factors

A	1,7	Minimum load factor
---	-----	---------------------