



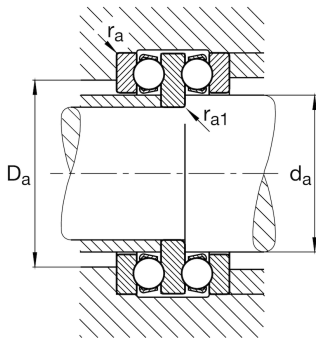
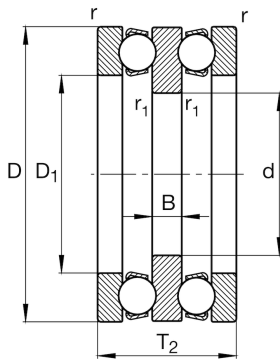
FAG

52224 [↗](#)

Axial deep groove ball bearing

Axial deep groove ball bearing 522, double direction, steel sheet metal cage

Technical information



Main Dimensions & Performance Data

d	100 mm	Inner diameter shaft washer
D	170 mm	Outer diameter housing washer
T ₂	68 mm	Height
C _a	128.000 N	Basic dynamic load rating, axial
C _{0a}	385.000 N	Basic static load rating, axial
C _{ua}	14.600 N	Fatigue load limit, axial
n _G	2.550 1/min	Limiting speed
n _{gr}	3.100 1/min	Reference speed
≈m	4,831 kg	Weight

Mounting dimensions

d _{a max}	120 mm	Maximum diameter shaft shoulder
D _{a max}	140 mm	Maximum diameter of housing shoulder
r _{a max}	1 mm	Maximum filled radius
r _{a1 max}	1 mm	Maximum filled radius

Dimensions

D ₁	123 mm	Inner diameter housing washer
B	15 mm	Height shaft washer
r _{min}	1,1 mm	Minimum chamfer dimension
r _{1 min}	1,1 mm	Minimum chamfer dimension

Temperature range

T _{min}	-30 °C	Operating temperature min.
T _{max}	150 °C	Operating temperature max.

Calculation factors

A	0,94	Minimum load factor
---	------	---------------------