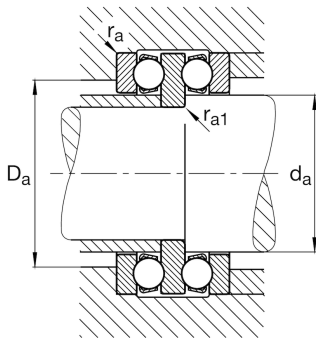
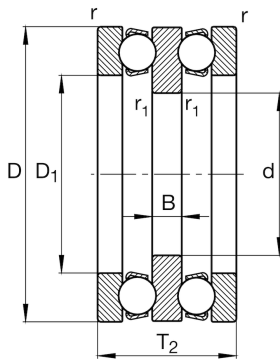
**FAG****52204**

Axial deep groove ball bearing

Axial deep groove ball bearing 522, double direction, steel sheet metal cage

Technical information



Main Dimensions & Performance Data

d	15 mm	Inner diameter shaft washer
D	40 mm	Outer diameter housing washer
T ₂	26 mm	Height
C _a	21.100 N	Basic dynamic load rating, axial
C _{0a}	37.500 N	Basic static load rating, axial
C _{ua}	1.700 N	Fatigue load limit, axial
n _G	8.500 1/min	Limiting speed
n _{gr}	11.100 1/min	Reference speed
≈m	150 g	Weight

Mounting dimensions

d _{a max}	20 mm	Maximum diameter shaft shoulder
D _{a max}	28 mm	Maximum diameter of housing shoulder
r _{a max}	0,6 mm	Maximum filled radius
r _{a1 max}	0,3 mm	Maximum filled radius

Dimensions

D ₁	22 mm	Inner diameter housing washer
B	6 mm	Height shaft washer
r _{min}	0,6 mm	Minimum chamfer dimension
r _{1 min}	0,3 mm	Minimum chamfer dimension

Temperature range

T _{min}	-30 °C	Operating temperature min.
T _{max}	150 °C	Operating temperature max.

Calculation factors

A	0,007	Minimum load factor
---	-------	---------------------