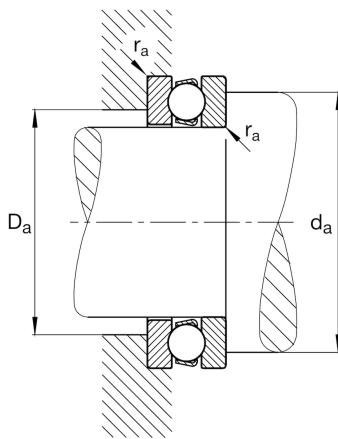
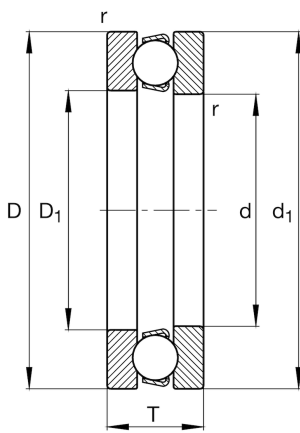


**FAG****51420-MP**

Axial deep groove ball bearing

Axial deep groove ball bearing 514...-MP,
single direction, solid brass cage

Technical information

**Main Dimensions & Performance Data**

d	100 mm	Inner diameter shaft washer
D	210 mm	Outer diameter housing washer
T	85 mm	Height
C_a	375.000 N	Basic dynamic load rating, axial
C_{0a}	1.060.000 N	Basic static load rating, axial
C_{ua}	38.500 N	Fatigue load limit, axial
n_G	1.350 1/min	Limiting speed
n_{gr}	3.650 1/min	Reference speed
$\approx m$	14,681 kg	Weight

Mounting dimensions

$d_{a \min}$	166 mm	Minimum diameter shaft shoulder
$D_{a \max}$	144 mm	Maximum diameter of housing shoulder
$r_{a \max}$	2,5 mm	Maximum filled radius

Dimensions

r_{\min}	3 mm	Minimum chamfer dimension
D_1	103 mm	Inner diameter housing washer
d_1	205 mm	Outer diameter shaft washer

Temperature range

T_{\min}	-30 °C	Operating temperature min.
T_{\max}	150 °C	Operating temperature max.

Calculation factors

A	6	Minimum load factor
---	---	---------------------