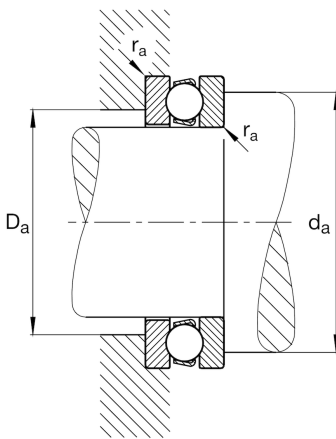
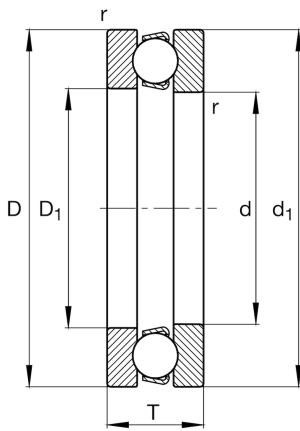


**FAG****51418-MP**

Axial deep groove ball bearing

Axial deep groove ball bearing 514...-MP, single direction, solid brass cage

Technical information

**Main Dimensions & Performance Data**

d	90 mm	Inner diameter shaft washer
D	190 mm	Outer diameter housing washer
T	77 mm	Height
C_a	325.000 N	Basic dynamic load rating, axial
C_{0a}	830.000 N	Basic static load rating, axial
C_{ua}	32.000 N	Fatigue load limit, axial
n_G	1.540 1/min	Limiting speed
n_{gr}	4.100 1/min	Reference speed
$\approx m$	11,176 kg	Weight

Mounting dimensions

$d_{a \min}$	150 mm	Minimum diameter shaft shoulder
$D_{a \max}$	130 mm	Maximum diameter of housing shoulder
$r_{a \max}$	2,1 mm	Maximum filled radius

Dimensions

r_{\min}	2,1 mm	Minimum chamfer dimension
D_1	93 mm	Inner diameter housing washer
d_1	187 mm	Outer diameter shaft washer

Temperature range

T_{\min}	-30 °C	Operating temperature min.
T_{\max}	150 °C	Operating temperature max.

Calculation factors

A	3,7	Minimum load factor
---	-----	---------------------