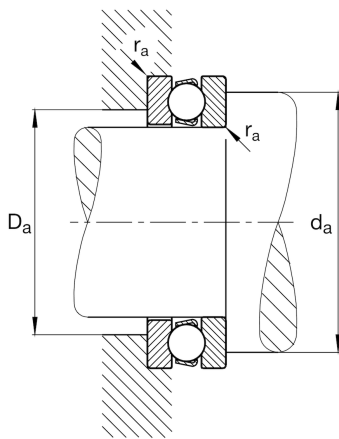
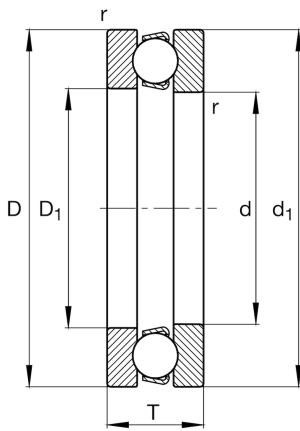


**FAG****51415-MP**

Axial deep groove ball bearing

Axial deep groove ball bearing 514...-MP, single direction, solid brass cage

## Technical information

**Main Dimensions & Performance Data**

d	75 mm	Inner diameter shaft washer
D	160 mm	Outer diameter housing washer
T	65 mm	Height
$C_a$	238.000 N	Basic dynamic load rating, axial
$C_{0a}$	560.000 N	Basic static load rating, axial
$C_{ua}$	23.400 N	Fatigue load limit, axial
$n_G$	1.810 1/min	Limiting speed
$n_{gr}$	4.750 1/min	Reference speed
$\approx m$	6,81 kg	Weight

**Mounting dimensions**

$d_{a \min}$	126 mm	Minimum diameter shaft shoulder
$D_{a \max}$	109 mm	Maximum diameter of housing shoulder
$r_{a \max}$	2 mm	Maximum filled radius

**Dimensions**

$r_{\min}$	2 mm	Minimum chamfer dimension
$D_1$	78 mm	Inner diameter housing washer
$d_1$	160 mm	Outer diameter shaft washer

**Temperature range**

$T_{\min}$	-30 °C	Operating temperature min.
$T_{\max}$	150 °C	Operating temperature max.

**Calculation factors**

A	1,8	Minimum load factor
---	-----	---------------------