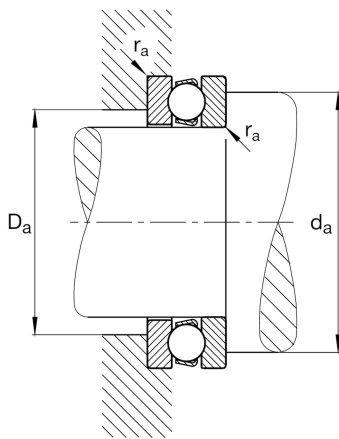
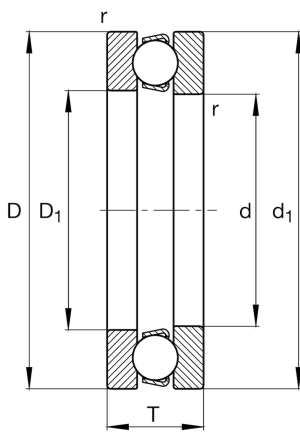


**FAG****51414-MP**

Axial deep groove ball bearing

Axial deep groove ball bearing 514...-MP,
single direction, solid brass cage

Technical information

**Main Dimensions & Performance Data**

d	70 mm	Inner diameter shaft washer
D	150 mm	Outer diameter housing washer
T	60 mm	Height
C_a	222.000 N	Basic dynamic load rating, axial
C_{0a}	500.000 N	Basic static load rating, axial
C_{ua}	21.700 N	Fatigue load limit, axial
n_G	1.920 1/min	Limiting speed
n_{gr}	5.000 1/min	Reference speed
$\approx m$	5,524 kg	Weight

Mounting dimensions

$d_{a \min}$	118 mm	Minimum diameter shaft shoulder
$D_{a \max}$	102 mm	Maximum diameter of housing shoulder
$r_{a \max}$	2 mm	Maximum filled radius

Dimensions

r_{\min}	2 mm	Minimum chamfer dimension
D_1	73 mm	Inner diameter housing washer
d_1	150 mm	Outer diameter shaft washer

Temperature range

T_{\min}	-30 °C	Operating temperature min.
T_{\max}	150 °C	Operating temperature max.

Calculation factors

A	1,4	Minimum load factor
---	-----	---------------------