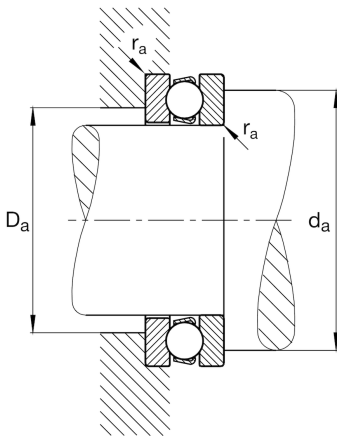
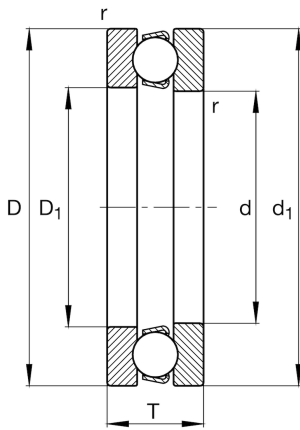


**FAG****51411**

Axial deep groove ball bearing

Axial deep groove ball bearing 514, single direction, steel sheet metal cage

Technical information

**Main Dimensions & Performance Data**

| | | |
|-------------|-------------|----------------------------------|
| d | 55 mm | Inner diameter shaft washer |
| D | 120 mm | Outer diameter housing washer |
| T | 48 mm | Height |
| C_a | 167.000 N | Basic dynamic load rating, axial |
| C_{0a} | 315.000 N | Basic static load rating, axial |
| C_{ua} | 14.400 N | Fatigue load limit, axial |
| n_G | 2.340 1/min | Limiting speed |
| n_{gr} | 6.000 1/min | Reference speed |
| $\approx m$ | 2,533 kg | Weight |

Mounting dimensions

| | | |
|--------------|--------|--------------------------------------|
| $d_{a \min}$ | 94 mm | Minimum diameter shaft shoulder |
| $D_{a \max}$ | 81 mm | Maximum diameter of housing shoulder |
| $r_{a \max}$ | 1,5 mm | Maximum filled radius |

Dimensions

| | | |
|------------|--------|-------------------------------|
| r_{\min} | 1,5 mm | Minimum chamfer dimension |
| D_1 | 57 mm | Inner diameter housing washer |
| d_1 | 120 mm | Outer diameter shaft washer |

Temperature range

| | | |
|------------|--------|----------------------------|
| T_{\min} | -30 °C | Operating temperature min. |
| T_{\max} | 150 °C | Operating temperature max. |

Calculation factors

| | | |
|---|------|---------------------|
| A | 0,59 | Minimum load factor |
|---|------|---------------------|