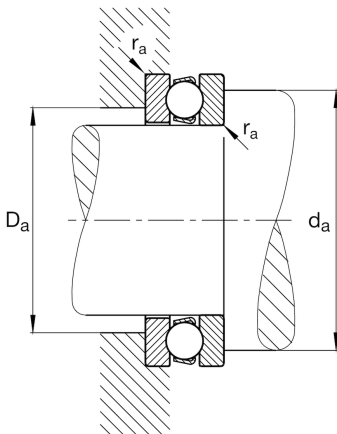


**FAG****51407**

Axial deep groove ball bearing

Axial deep groove ball bearing 514, single direction, steel sheet metal cage

Technical information

**Main Dimensions & Performance Data**

d	35 mm	Inner diameter shaft washer
D	80 mm	Outer diameter housing washer
T	32 mm	Height
C_a	76.000 N	Basic dynamic load rating, axial
C_{0a}	126.000 N	Basic static load rating, axial
C_{ua}	5.700 N	Fatigue load limit, axial
n_G	3.600 1/min	Limiting speed
n_{gr}	8.500 1/min	Reference speed
$\approx m$	0,739 kg	Weight

Mounting dimensions

$d_{a \min}$	62 mm	Minimum diameter shaft shoulder
$D_{a \max}$	53 mm	Maximum diameter of housing shoulder
$r_{a \max}$	1 mm	Maximum fillet radius

Dimensions

r_{\min}	1,1 mm	Minimum chamfer dimension
D_1	37 mm	Inner diameter housing washer
d_1	80 mm	Outer diameter shaft washer

Temperature range

T_{\min}	-30 °C	Operating temperature min.
T_{\max}	150 °C	Operating temperature max.

Calculation factors

A	0,11	Minimum load factor
---	------	---------------------