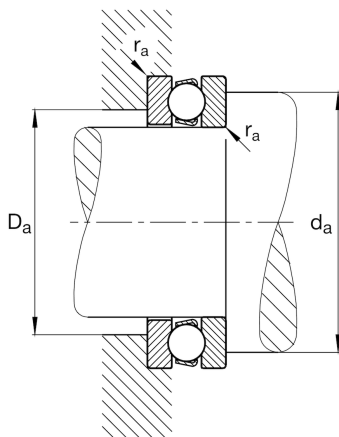
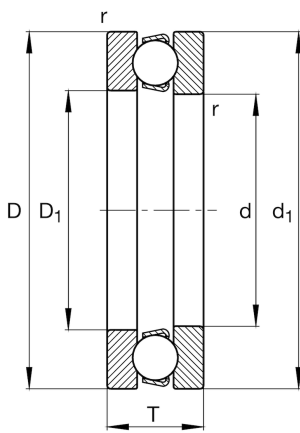


**FAG****51336-MP**

Axial deep groove ball bearing

Axial deep groove ball bearing 513...-MP, single direction, solid brass cage

Technical information

**Main Dimensions & Performance Data**

| | | |
|-------------|-------------|----------------------------------|
| d | 180 mm | Inner diameter shaft washer |
| D | 300 mm | Outer diameter housing washer |
| T | 95 mm | Height |
| C_a | 520.000 N | Basic dynamic load rating, axial |
| C_{0a} | 1.830.000 N | Basic static load rating, axial |
| C_{ua} | 54.000 N | Fatigue load limit, axial |
| n_G | 1.130 1/min | Limiting speed |
| n_{gr} | 2.000 1/min | Reference speed |
| $\approx m$ | 28 kg | Weight |

Mounting dimensions

| | | |
|--------------|--------|--------------------------------------|
| $d_{a \min}$ | 252 mm | Minimum diameter shaft shoulder |
| $D_{a \max}$ | 228 mm | Maximum diameter of housing shoulder |
| $r_{a \max}$ | 2,5 mm | Maximum filled radius |

Dimensions

| | | |
|------------|--------|-------------------------------|
| r_{\min} | 3 mm | Minimum chamfer dimension |
| D_1 | 184 mm | Inner diameter housing washer |
| d_1 | 295 mm | Outer diameter shaft washer |

Temperature range

| | | |
|------------|--------|----------------------------|
| T_{\min} | -30 °C | Operating temperature min. |
| T_{\max} | 200 °C | Operating temperature max. |

Calculation factors

| | | |
|---|----|---------------------|
| A | 18 | Minimum load factor |
|---|----|---------------------|