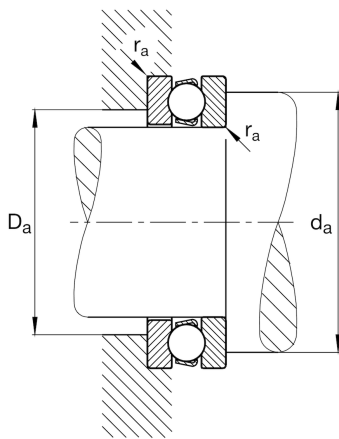
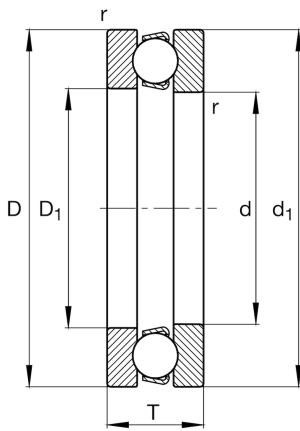


**FAG****51334-MP**

Axial deep groove ball bearing

Axial deep groove ball bearing 513...-MP, single direction, solid brass cage

Technical information

**Main Dimensions & Performance Data**

d	170 mm	Inner diameter shaft washer
D	280 mm	Outer diameter housing washer
T	87 mm	Height
C_a	440.000 N	Basic dynamic load rating, axial
C_{0a}	1.560.000 N	Basic static load rating, axial
C_{ua}	47.500 N	Fatigue load limit, axial
n_G	1.220 1/min	Limiting speed
n_{gr}	2.170 1/min	Reference speed
$\approx m$	21,511 kg	Weight

Mounting dimensions

$d_{a \min}$	236 mm	Minimum diameter shaft shoulder
$D_{a \max}$	214 mm	Maximum diameter of housing shoulder
$r_{a \max}$	2,5 mm	Maximum filled radius

Dimensions

r_{\min}	3 mm	Minimum chamfer dimension
D_1	174 mm	Inner diameter housing washer
d_1	275 mm	Outer diameter shaft washer

Temperature range

T_{\min}	-30 °C	Operating temperature min.
T_{\max}	200 °C	Operating temperature max.

Calculation factors

A	13	Minimum load factor
---	----	---------------------