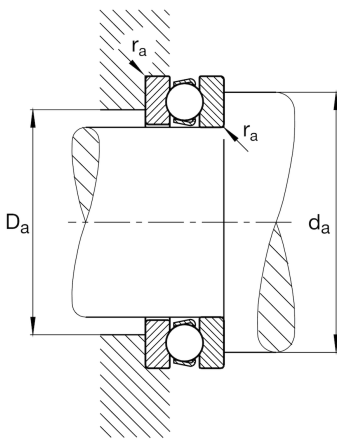
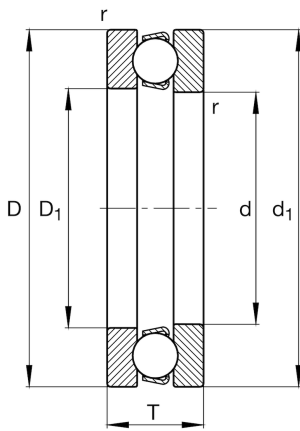


**FAG****51326-MP**

Axial deep groove ball bearing

Axial deep groove ball bearing 513..-MP, single direction, solid brass cage

Technical information

**Main Dimensions & Performance Data**

d	130 mm	Inner diameter shaft washer
D	225 mm	Outer diameter housing washer
T	75 mm	Height
C_a	360.000 N	Basic dynamic load rating, axial
C_{0a}	1.050.000 N	Basic static load rating, axial
C_{ua}	36.000 N	Fatigue load limit, axial
n_G	1.490 1/min	Limiting speed
n_{gr}	2.950 1/min	Reference speed
$\approx m$	12,92 kg	Weight

Mounting dimensions

$d_{a \min}$	187 mm	Minimum diameter shaft shoulder
$D_{a \max}$	168 mm	Maximum diameter of housing shoulder
$r_{a \max}$	2,1 mm	Maximum filled radius

Dimensions

r_{\min}	2,1 mm	Minimum chamfer dimension
D_1	134 mm	Inner diameter housing washer
d_1	220 mm	Outer diameter shaft washer

Temperature range

T_{\min}	-30 °C	Operating temperature min.
T_{\max}	150 °C	Operating temperature max.

Calculation factors

A	5,9	Minimum load factor
---	-----	---------------------