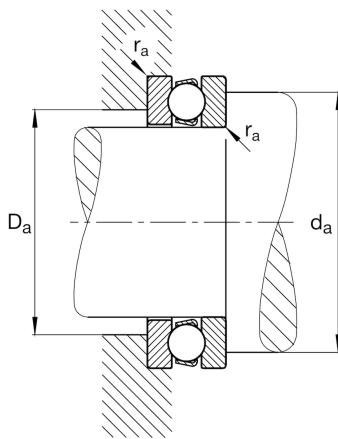
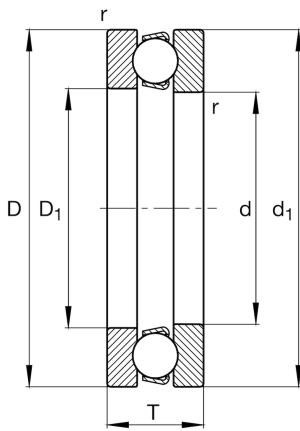


**FAG****51322-MP**

Axial deep groove ball bearing

Axial deep groove ball bearing 513..-MP, single direction, solid brass cage

## Technical information

**Main Dimensions & Performance Data**

d	110 mm	Inner diameter shaft washer
D	190 mm	Outer diameter housing washer
T	63 mm	Height
$C_a$	280.000 N	Basic dynamic load rating, axial
$C_{0a}$	740.000 N	Basic static load rating, axial
$C_{ua}$	28.000 N	Fatigue load limit, axial
$n_G$	1.790 1/min	Limiting speed
$n_{gr}$	3.400 1/min	Reference speed
$\approx m$	7,817 kg	Weight

**Mounting dimensions**

$d_{a \min}$	158 mm	Minimum diameter shaft shoulder
$D_{a \max}$	142 mm	Maximum diameter of housing shoulder
$r_{a \max}$	2 mm	Maximum filled radius

**Dimensions**

$r_{\min}$	2 mm	Minimum chamfer dimension
$D_1$	113 mm	Inner diameter housing washer
$d_1$	187 mm	Outer diameter shaft washer

**Temperature range**

$T_{\min}$	-30 °C	Operating temperature min.
$T_{\max}$	150 °C	Operating temperature max.

**Calculation factors**

A	3	Minimum load factor
---	---	---------------------