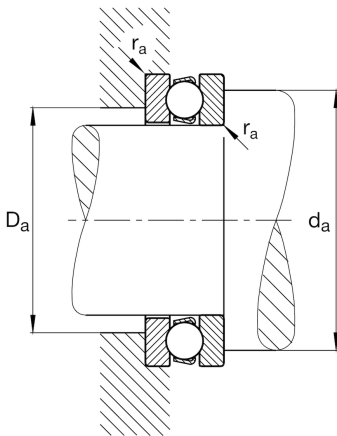
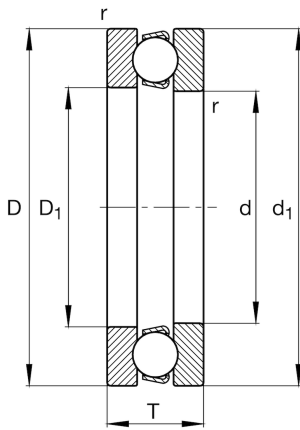


**FAG****51320**

Axial deep groove ball bearing

Axial deep groove ball bearing 513, single direction, steel sheet metal cage

## Technical information

**Main Dimensions & Performance Data**

d	100 mm	Inner diameter shaft washer
D	170 mm	Outer diameter housing washer
T	55 mm	Height
$C_a$	238.000 N	Basic dynamic load rating, axial
$C_{0a}$	580.000 N	Basic static load rating, axial
$C_{ua}$	23.200 N	Fatigue load limit, axial
$n_G$	1.970 1/min	Limiting speed
$n_{gr}$	3.650 1/min	Reference speed
$\approx m$	4,834 kg	Weight

**Mounting dimensions**

$d_{a \min}$	142 mm	Minimum diameter shaft shoulder
$D_{a \max}$	128 mm	Maximum diameter of housing shoulder
$r_{a \max}$	1,5 mm	Maximum filled radius

**Dimensions**

$r_{\min}$	1,5 mm	Minimum chamfer dimension
$D_1$	103 mm	Inner diameter housing washer
$d_1$	170 mm	Outer diameter shaft washer

**Temperature range**

$T_{\min}$	-30 °C	Operating temperature min.
$T_{\max}$	150 °C	Operating temperature max.

**Calculation factors**

A	1,9	Minimum load factor
---	-----	---------------------