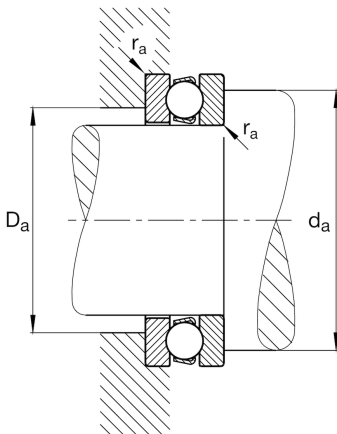


**FAG****51305**

Axial deep groove ball bearing

Axial deep groove ball bearing 513, single direction, steel sheet metal cage

Technical information

**Main Dimensions & Performance Data**

d	25 mm	Inner diameter shaft washer
D	52 mm	Outer diameter housing washer
T	18 mm	Height
C_a	34.500 N	Basic dynamic load rating, axial
C_{0a}	55.000 N	Basic static load rating, axial
C_{ua}	2.500 N	Fatigue load limit, axial
n_G	6.000 1/min	Limiting speed
n_{gr}	10.400 1/min	Reference speed
$\approx m$	0,171 kg	Weight

Mounting dimensions

$d_{a \min}$	41 mm	Minimum diameter shaft shoulder
$D_{a \max}$	36 mm	Maximum diameter of housing shoulder
$r_{a \max}$	1 mm	Maximum filled radius

Dimensions

r_{\min}	1 mm	Minimum chamfer dimension
D_1	27 mm	Inner diameter housing washer
d_1	52 mm	Outer diameter shaft washer

Temperature range

T_{\min}	-30 °C	Operating temperature min.
T_{\max}	150 °C	Operating temperature max.

Calculation factors

A	0,019	Minimum load factor
---	-------	---------------------