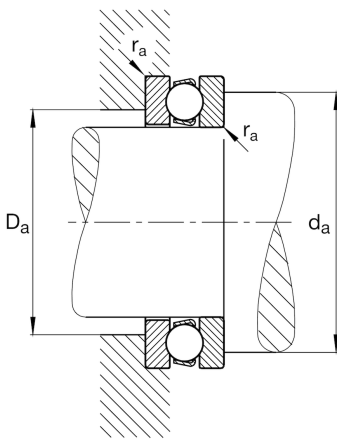
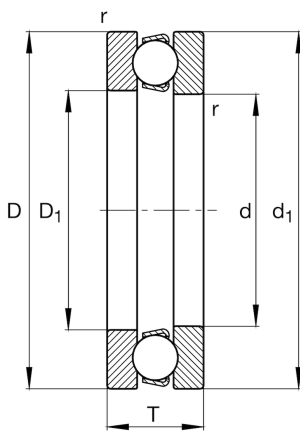


**FAG****51272-MP**

Axial deep groove ball bearing

Axial deep groove ball bearing 512...-MP,
single direction, solid brass cage

Technical information

**Main Dimensions & Performance Data**

| | | |
|-------------|-------------|----------------------------------|
| d | 360 mm | Inner diameter shaft washer |
| D | 500 mm | Outer diameter housing washer |
| T | 110 mm | Height |
| C_a | 720.000 N | Basic dynamic load rating, axial |
| C_{0a} | 3.650.000 N | Basic static load rating, axial |
| C_{ua} | 81.000 N | Fatigue load limit, axial |
| n_G | 820 1/min | Limiting speed |
| n_{gr} | 930 1/min | Reference speed |
| $\approx m$ | 68,1 kg | Weight |

Mounting dimensions

| | | |
|--------------|--------|--------------------------------------|
| $d_{a \min}$ | 444 mm | Minimum diameter shaft shoulder |
| $D_{a \max}$ | 416 mm | Maximum diameter of housing shoulder |
| $r_{a \max}$ | 3 mm | Maximum filled radius |

Dimensions

| | | |
|------------|--------|-------------------------------|
| r_{\min} | 4 mm | Minimum chamfer dimension |
| D_1 | 365 mm | Inner diameter housing washer |
| d_1 | 495 mm | Outer diameter shaft washer |

Temperature range

| | | |
|------------|--------|----------------------------|
| T_{\min} | -30 °C | Operating temperature min. |
| T_{\max} | 200 °C | Operating temperature max. |

Calculation factors

| | | |
|---|----|---------------------|
| A | 72 | Minimum load factor |
|---|----|---------------------|