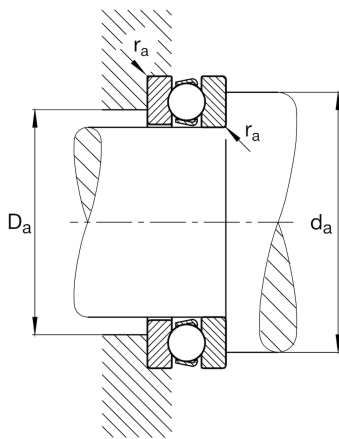
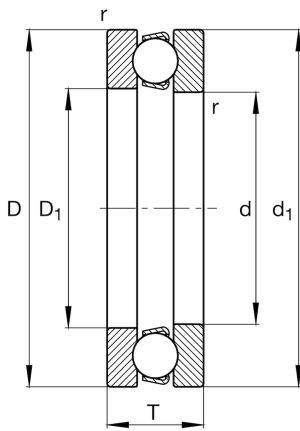


**FAG****51268-MP**

Axial deep groove ball bearing

Axial deep groove ball bearing 512...-MP,
single direction, solid brass cage

Technical information

**Main Dimensions & Performance Data**

d	340 mm	Inner diameter shaft washer
D	460 mm	Outer diameter housing washer
T	96 mm	Height
C_a	620.000 N	Basic dynamic load rating, axial
C_{0a}	3.050.000 N	Basic static load rating, axial
C_{ua}	69.000 N	Fatigue load limit, axial
n_G	920 1/min	Limiting speed
n_{gr}	990 1/min	Reference speed
$\approx m$	48,2 kg	Weight

Mounting dimensions

$d_{a \min}$	412 mm	Minimum diameter shaft shoulder
$D_{a \max}$	388 mm	Maximum diameter of housing shoulder
$r_{a \max}$	2,5 mm	Maximum filled radius

Dimensions

r_{\min}	3 mm	Minimum chamfer dimension
D_1	345 mm	Inner diameter housing washer
d_1	455 mm	Outer diameter shaft washer

Temperature range

T_{\min}	-30 °C	Operating temperature min.
T_{\max}	200 °C	Operating temperature max.

Calculation factors

A	49	Minimum load factor
---	----	---------------------