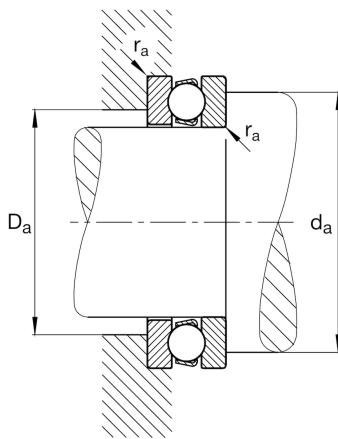
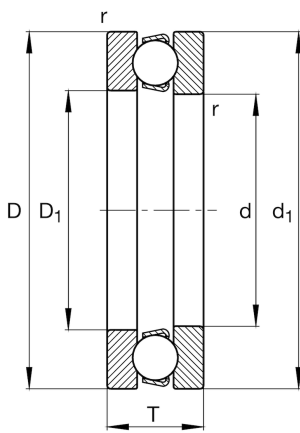


**FAG****51264-MP**

Axial deep groove ball bearing

Axial deep groove ball bearing 512...-MP, single direction, solid brass cage

Technical information

**Main Dimensions & Performance Data**

d	320 mm	Inner diameter shaft washer
D	440 mm	Outer diameter housing washer
T	95 mm	Height
C_a	600.000 N	Basic dynamic load rating, axial
C_{0a}	2.800.000 N	Basic static load rating, axial
C_{ua}	65.000 N	Fatigue load limit, axial
n_G	940 1/min	Limiting speed
n_{gr}	1.080 1/min	Reference speed
$\approx m$	44,12 kg	Weight

Mounting dimensions

$d_{a \min}$	392 mm	Minimum diameter shaft shoulder
$D_{a \max}$	368 mm	Maximum diameter of housing shoulder
$r_{a \max}$	2,5 mm	Maximum filled radius

Dimensions

r_{\min}	3 mm	Minimum chamfer dimension
D_1	325 mm	Inner diameter housing washer
d_1	435 mm	Outer diameter shaft washer

Temperature range

T_{\min}	-30 °C	Operating temperature min.
T_{\max}	200 °C	Operating temperature max.

Calculation factors

A	43	Minimum load factor
---	----	---------------------