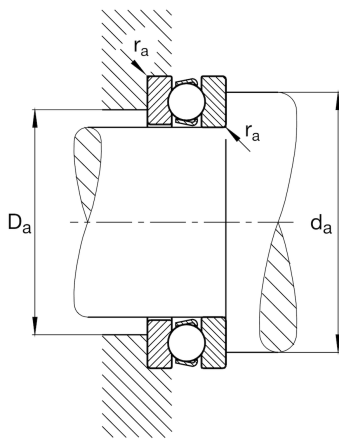
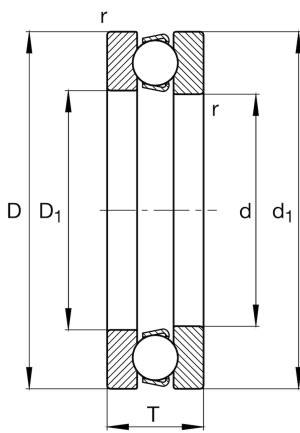


**FAG****51232-MP**

Axial deep groove ball bearing

Axial deep groove ball bearing 512...-MP, single direction, solid brass cage

## Technical information

**Main Dimensions & Performance Data**

|             |             |                                  |
|-------------|-------------|----------------------------------|
| d           | 160 mm      | Inner diameter shaft washer      |
| D           | 225 mm      | Outer diameter housing washer    |
| T           | 51 mm       | Height                           |
| $C_a$       | 240.000 N   | Basic dynamic load rating, axial |
| $C_{0a}$    | 770.000 N   | Basic static load rating, axial  |
| $C_{ua}$    | 25.500 N    | Fatigue load limit, axial        |
| $n_G$       | 1.900 1/min | Limiting speed                   |
| $n_{gr}$    | 2.350 1/min | Reference speed                  |
| $\approx m$ | 6,535 kg    | Weight                           |

**Mounting dimensions**

|              |        |                                      |
|--------------|--------|--------------------------------------|
| $d_{a \min}$ | 199 mm | Minimum diameter shaft shoulder      |
| $D_{a \max}$ | 186 mm | Maximum diameter of housing shoulder |
| $r_{a \max}$ | 1,5 mm | Maximum filled radius                |

**Dimensions**

|            |        |                               |
|------------|--------|-------------------------------|
| $r_{\min}$ | 1,5 mm | Minimum chamfer dimension     |
| $D_1$      | 163 mm | Inner diameter housing washer |
| $d_1$      | 222 mm | Outer diameter shaft washer   |

**Temperature range**

|            |        |                            |
|------------|--------|----------------------------|
| $T_{\min}$ | -30 °C | Operating temperature min. |
| $T_{\max}$ | 150 °C | Operating temperature max. |

**Calculation factors**

|   |     |                     |
|---|-----|---------------------|
| A | 3,2 | Minimum load factor |
|---|-----|---------------------|