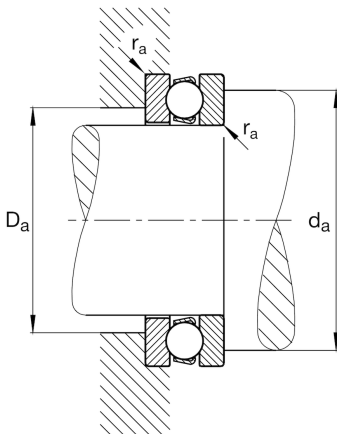


**FAG****51226**

Axial deep groove ball bearing

Axial deep groove ball bearing 512, single direction, steel sheet metal cage

## Technical information

**Main Dimensions & Performance Data**

d	130 mm	Inner diameter shaft washer
D	190 mm	Outer diameter housing washer
T	45 mm	Height
$C_a$	184.000 N	Basic dynamic load rating, axial
$C_{0a}$	540.000 N	Basic static load rating, axial
$C_{ua}$	19.500 N	Fatigue load limit, axial
$n_G$	2.210 1/min	Limiting speed
$n_{gr}$	2.850 1/min	Reference speed
$\approx m$	3,946 kg	Weight

**Mounting dimensions**

$d_{a \min}$	166 mm	Minimum diameter shaft shoulder
$D_{a \max}$	154 mm	Maximum diameter of housing shoulder
$r_{a \max}$	1,5 mm	Maximum fillet radius

**Dimensions**

$r_{\min}$	1,5 mm	Minimum chamfer dimension
$D_1$	133 mm	Inner diameter housing washer
$d_1$	187 mm	Outer diameter shaft washer

**Temperature range**

$T_{\min}$	-30 °C	Operating temperature min.
$T_{\max}$	150 °C	Operating temperature max.

**Calculation factors**

A	1,7	Minimum load factor
---	-----	---------------------