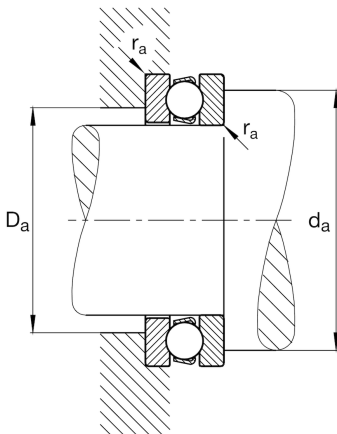
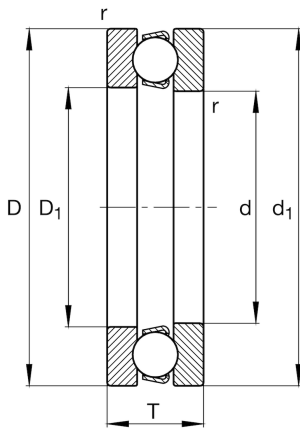


**FAG****51204**

Axial deep groove ball bearing

Axial deep groove ball bearing 512, single direction, steel sheet metal cage

## Technical information

**Main Dimensions & Performance Data**

d	20 mm	Inner diameter shaft washer
D	40 mm	Outer diameter housing washer
T	14 mm	Height
$C_a$	21.100 N	Basic dynamic load rating, axial
$C_{0a}$	37.500 N	Basic static load rating, axial
$C_{ua}$	1.700 N	Fatigue load limit, axial
$n_G$	8.500 1/min	Limiting speed
$n_{gr}$	11.600 1/min	Reference speed
$\approx m$	82 g	Weight

**Mounting dimensions**

$d_{a \min}$	32 mm	Minimum diameter shaft shoulder
$D_{a \max}$	28 mm	Maximum diameter of housing shoulder
$r_{a \max}$	0,6 mm	Maximum filled radius

**Dimensions**

$r_{\min}$	0,6 mm	Minimum chamfer dimension
$D_1$	22 mm	Inner diameter housing washer
$d_1$	40 mm	Outer diameter shaft washer

**Temperature range**

$T_{\min}$	-30 °C	Operating temperature min.
$T_{\max}$	150 °C	Operating temperature max.

**Calculation factors**

A	0,007	Minimum load factor
---	-------	---------------------