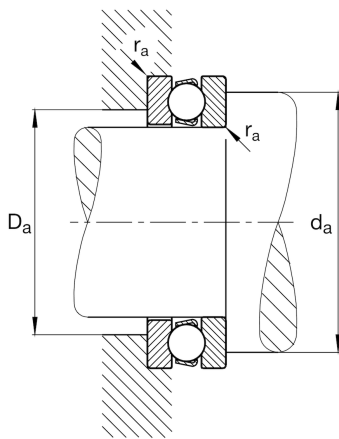
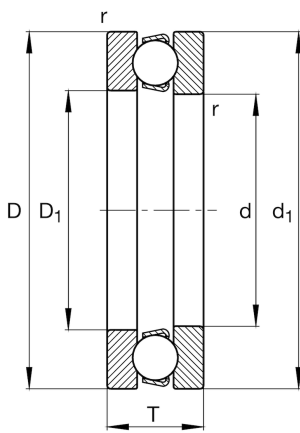


**FAG****51188-MP** [↗](#)

Axial deep groove ball bearing

Axial deep groove ball bearing 511...-MP, single direction, solid brass cage

Technical information

**Main Dimensions & Performance Data**

d	440 mm	Inner diameter shaft washer
D	540 mm	Outer diameter housing washer
T	80 mm	Height
C_a	530.000 N	Basic dynamic load rating, axial
C_{0a}	3.000.000 N	Basic static load rating, axial
C_{ua}	62.000 N	Fatigue load limit, axial
n_G	900 1/min	Limiting speed
n_{gr}	740 1/min	Reference speed
$\approx m$	40 kg	Weight

Mounting dimensions

$d_{a \min}$	500 mm	Minimum diameter shaft shoulder
$D_{a \max}$	480 mm	Maximum diameter of housing shoulder
$r_{a \max}$	2,1 mm	Maximum filled radius

Dimensions

r_{\min}	2,1 mm	Minimum chamfer dimension
D_1	444 mm	Inner diameter housing washer
d_1	535 mm	Outer diameter shaft washer

Temperature range

T_{\min}	-30 °C	Operating temperature min.
T_{\max}	200 °C	Operating temperature max.

Calculation factors

A	47	Minimum load factor
---	----	---------------------