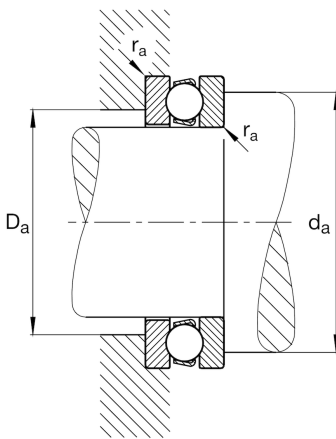
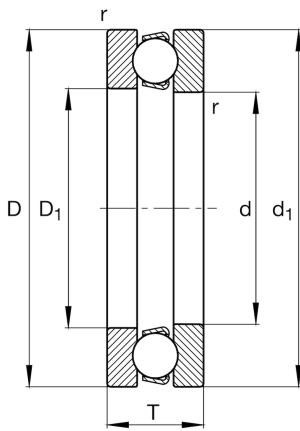


**FAG****51172-MP**

Axial deep groove ball bearing

Axial deep groove ball bearing 511...-MP,
single direction, solid brass cage

Technical information

**Main Dimensions & Performance Data**

d	360 mm	Inner diameter shaft washer
D	440 mm	Outer diameter housing washer
T	65 mm	Height
C_a	405.000 N	Basic dynamic load rating, axial
C_{0a}	2.020.000 N	Basic static load rating, axial
C_{ua}	46.500 N	Fatigue load limit, axial
n_G	1.110 1/min	Limiting speed
n_{gr}	930 1/min	Reference speed
$\approx m$	21 kg	Weight

Mounting dimensions

$d_{a \min}$	408 mm	Minimum diameter shaft shoulder
$D_{a \max}$	392 mm	Maximum diameter of housing shoulder
$r_{a \max}$	2 mm	Maximum filled radius

Dimensions

r_{\min}	2 mm	Minimum chamfer dimension
D_1	364 mm	Inner diameter housing washer
d_1	436 mm	Outer diameter shaft washer

Temperature range

T_{\min}	-30 °C	Operating temperature min.
T_{\max}	200 °C	Operating temperature max.

Calculation factors

A	22	Minimum load factor
---	----	---------------------