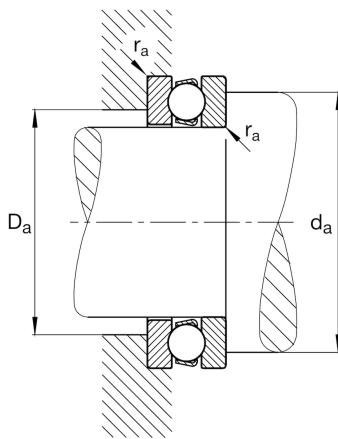
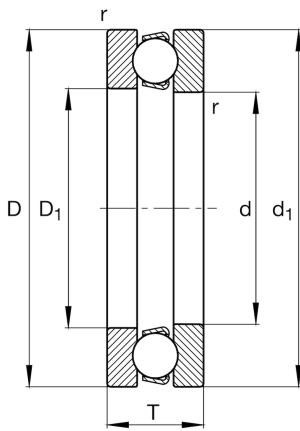


**FAG****51160-MP**

Axial deep groove ball bearing

Axial deep groove ball bearing 511...-MP,
single direction, solid brass cage

Technical information

**Main Dimensions & Performance Data**

d	300 mm	Inner diameter shaft washer
D	380 mm	Outer diameter housing washer
T	62 mm	Height
C_a	360.000 N	Basic dynamic load rating, axial
C_{0a}	1.620.000 N	Basic static load rating, axial
C_{ua}	40.000 N	Fatigue load limit, axial
n_G	1.270 1/min	Limiting speed
n_{gr}	1.190 1/min	Reference speed
$\approx m$	22 kg	Weight

Mounting dimensions

$d_{a \min}$	348 mm	Minimum diameter shaft shoulder
$D_{a \max}$	332 mm	Maximum diameter of housing shoulder
$r_{a \max}$	2 mm	Maximum filled radius

Dimensions

r_{\min}	2 mm	Minimum chamfer dimension
D_1	304 mm	Inner diameter housing washer
d_1	376 mm	Outer diameter shaft washer

Temperature range

T_{\min}	-30 °C	Operating temperature min.
T_{\max}	200 °C	Operating temperature max.

Calculation factors

A	14	Minimum load factor
---	----	---------------------