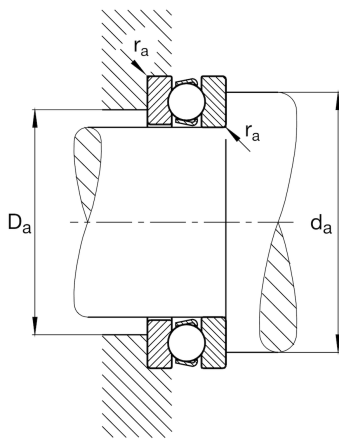
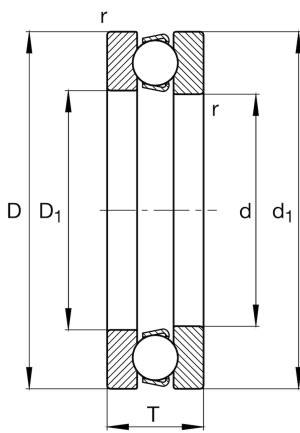


**FAG****51156-MP**

Axial deep groove ball bearing

Axial deep groove ball bearing 511...-MP, single direction, solid brass cage

Technical information

**Main Dimensions & Performance Data**

d	280 mm	Inner diameter shaft washer
D	350 mm	Outer diameter housing washer
T	53 mm	Height
C_a	325.000 N	Basic dynamic load rating, axial
C_{0a}	1.390.000 N	Basic static load rating, axial
C_{ua}	36.000 N	Fatigue load limit, axial
n_G	1.380 1/min	Limiting speed
n_{gr}	1.270 1/min	Reference speed
$\approx m$	11,877 kg	Weight

Mounting dimensions

$d_{a \min}$	322 mm	Minimum diameter shaft shoulder
$D_{a \max}$	308 mm	Maximum diameter of housing shoulder
$r_{a \max}$	1,5 mm	Maximum filled radius

Dimensions

r_{\min}	1,5 mm	Minimum chamfer dimension
D_1	283 mm	Inner diameter housing washer
d_1	347 mm	Outer diameter shaft washer

Temperature range

T_{\min}	-30 °C	Operating temperature min.
T_{\max}	200 °C	Operating temperature max.

Calculation factors

A	10	Minimum load factor
---	----	---------------------