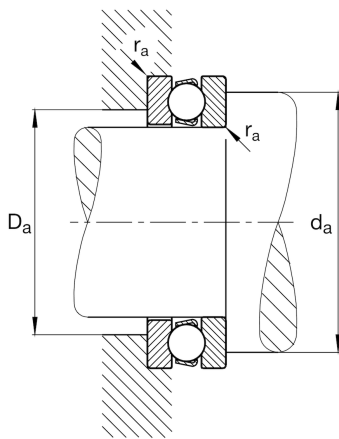
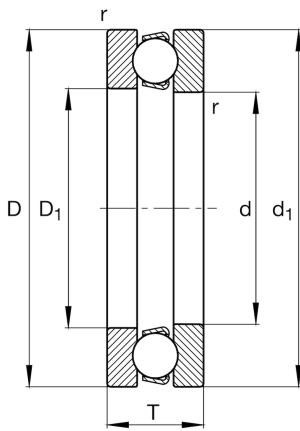


**FAG****51132-MP**

Axial deep groove ball bearing

Axial deep groove ball bearing 511...-MP,  
single direction, solid brass cage

## Technical information

**Main Dimensions & Performance Data**

d	160 mm	Inner diameter shaft washer
D	200 mm	Outer diameter housing washer
T	31 mm	Height
$C_a$	112.000 N	Basic dynamic load rating, axial
$C_{0a}$	425.000 N	Basic static load rating, axial
$C_{ua}$	14.600 N	Fatigue load limit, axial
$n_G$	2.550 1/min	Limiting speed
$n_{gr}$	2.060 1/min	Reference speed
$\approx m$	2,259 kg	Weight

**Mounting dimensions**

$d_{a \min}$	184 mm	Minimum diameter shaft shoulder
$D_{a \max}$	176 mm	Maximum diameter of housing shoulder
$r_{a \max}$	1 mm	Maximum filled radius

**Dimensions**

$r_{\min}$	1 mm	Minimum chamfer dimension
$D_1$	162 mm	Inner diameter housing washer
$d_1$	198 mm	Outer diameter shaft washer

**Temperature range**

$T_{\min}$	-30 °C	Operating temperature min.
$T_{\max}$	150 °C	Operating temperature max.

**Calculation factors**

A	1	Minimum load factor
---	---	---------------------