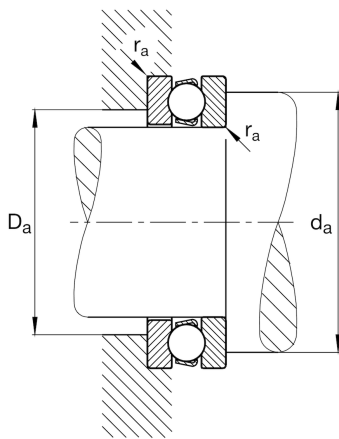
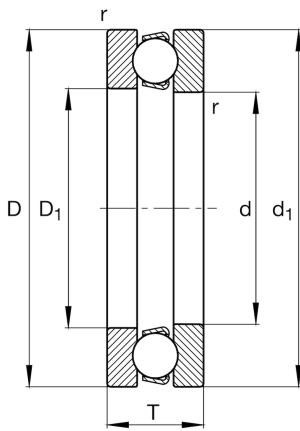


**FAG****51130-MP**

Axial deep groove ball bearing

Axial deep groove ball bearing 511...-MP,
single direction, solid brass cage

Technical information

**Main Dimensions & Performance Data**

d	150 mm	Inner diameter shaft washer
D	190 mm	Outer diameter housing washer
T	31 mm	Height
C_a	109.000 N	Basic dynamic load rating, axial
C_{0a}	400.000 N	Basic static load rating, axial
C_{ua}	14.200 N	Fatigue load limit, axial
n_G	2.650 1/min	Limiting speed
n_{gr}	2.200 1/min	Reference speed
$\approx m$	2,12 kg	Weight

Mounting dimensions

$d_{a \min}$	174 mm	Minimum diameter shaft shoulder
$D_{a \max}$	166 mm	Maximum diameter of housing shoulder
$r_{a \max}$	1 mm	Maximum filled radius

Dimensions

r_{\min}	1 mm	Minimum chamfer dimension
D_1	152 mm	Inner diameter housing washer
d_1	188 mm	Outer diameter shaft washer

Temperature range

T_{\min}	-30 °C	Operating temperature min.
T_{\max}	150 °C	Operating temperature max.

Calculation factors

A	0,89	Minimum load factor
---	------	---------------------