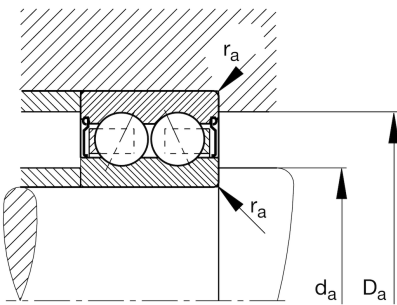
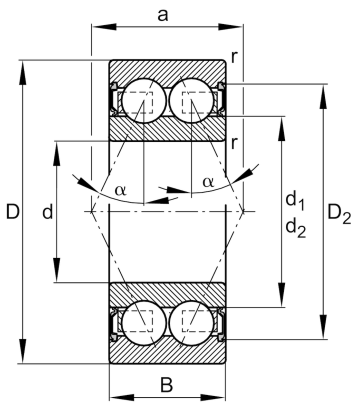


**3908-2RS**

Angular contact ball bearing

Angular contact ball bearing 39..-B-2RS-TVH, double row, seals, plastic cage

## Technical information

**Main Dimensions & Performance Data**

d	40 mm	Bore diameter
D	62 mm	Outside diameter
B	16 mm	Width
$C_r$	17.400 N	Basic dynamic load rating, radial
$C_{0r}$	16.700 N	Basic static load rating, radial
$C_{ur}$	870 N	Fatigue load limit, radial
$n_G$	5.900 1/min	Limiting speed
$\approx m$	0,16 kg	Weight

**Mounting dimensions**

$d_{a \min}$	43,2 mm	Minimum diameter shaft shoulder
$D_{a \max}$	58,8 mm	Maximum diameter of housing shoulder
$r_{a \max}$	0,6 mm	Maximum fillet radius

**Dimensions**

$r_{\min}$	0,6 mm	Minimum chamfer dimension
$D_1$	55,05 mm	Shoulder diameter outer ring
$D_2$	56,03 mm	Caliber diameter outer ring
$d_1$	47,6 mm	Shoulder diameter inner ring
$d_2$	45,37 mm	Caliber diameter inner ring
a	30 mm	Distance between the apexes of the pressure cones
$\alpha$	25 °	Contact angle

**Temperature range**

$T_{\min}$	-20 °C	Operating temperature min.
$T_{\max}$	100 °C	Operating temperature max.