

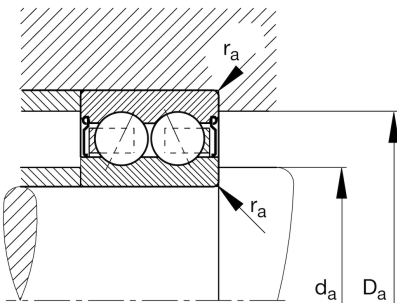
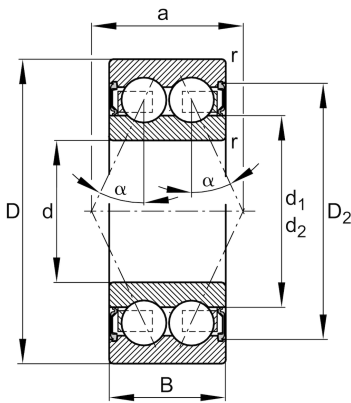
**3904-2Z**

Angular contact ball bearing



Angular contact ball bearing 39.-B-2RZ-TVH, double row, shields, plastic cage

Technical information

**Main Dimensions & Performance Data**

d	20 mm	Bore diameter
D	37 mm	Outside diameter
B	13 mm	Width
C_r	9.100 N	Basic dynamic load rating, radial
C_{0r}	6.800 N	Basic static load rating, radial
C_{ur}	355 N	Fatigue load limit, radial
n_G	15.000 1/min	Limiting speed
n_{gr}	12.100 1/min	Reference speed
$\approx m$	55 g	Weight

Mounting dimensions

$d_{a \min}$	23,2 mm	Minimum diameter shaft shoulder
$D_{a \max}$	33,8 mm	Maximum diameter of housing shoulder
$r_{a \max}$	0,6 mm	Maximum fillet radius

Dimensions

r_{\min}	0,6 mm	Minimum chamfer dimension
D_1	32,85 mm	Shoulder diameter outer ring
D_2	33,45 mm	Caliber diameter outer ring
d_1	27,08 mm	Shoulder diameter inner ring
d_2	24,6 mm	Caliber diameter inner ring
a	18,8 mm	Distance between the apexes of the pressure cones
α	25 °	Contact angle

Temperature range

T_{\min}	-20 °C	Operating temperature min.
T_{\max}	100 °C	Operating temperature max.