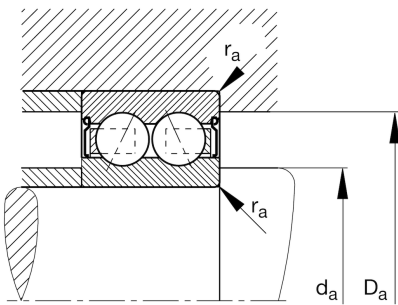
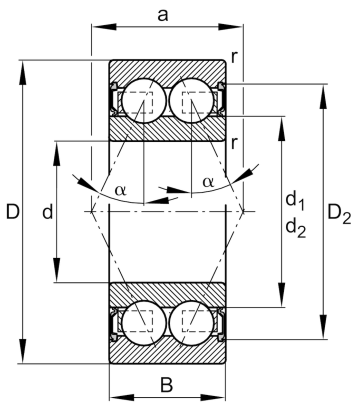


**3818-2RS**

Angular contact ball bearing

Angular contact ball bearing 38..-B-2RS-TVH, double row, seals, plastic cage

## Technical information

**Main Dimensions & Performance Data**

d	90 mm	Bore diameter
D	115 mm	Outside diameter
B	19 mm	Width
$C_r$	27.000 N	Basic dynamic load rating, radial
$C_{0r}$	35.500 N	Basic static load rating, radial
$C_{ur}$	2.000 N	Fatigue load limit, radial
$n_G$	2.750 1/min	Limiting speed
$\approx m$	0,422 kg	Weight

**Mounting dimensions**

$d_{a \min}$	94,6 mm	Minimum diameter shaft shoulder
$D_{a \max}$	110,4 mm	Maximum diameter of housing shoulder
$r_{a \max}$	1 mm	Maximum fillet radius

**Dimensions**

$r_{\min}$	1 mm	Minimum chamfer dimension
$D_1$	106,63 mm	Shoulder diameter outer ring
$D_2$	107,2 mm	Caliber diameter outer ring
$d_1$	98,44 mm	Shoulder diameter inner ring
$d_2$	96,2 mm	Caliber diameter inner ring
a	55 mm	Distance between the apexes of the pressure cones
$\alpha$	25 °	Contact angle

**Temperature range**

$T_{\min}$	-20 °C	Operating temperature min.
$T_{\max}$	100 °C	Operating temperature max.