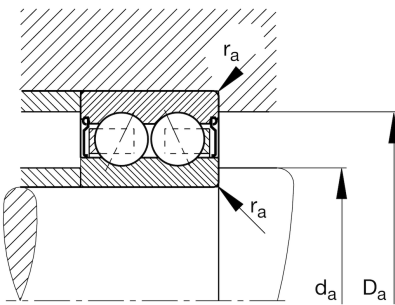
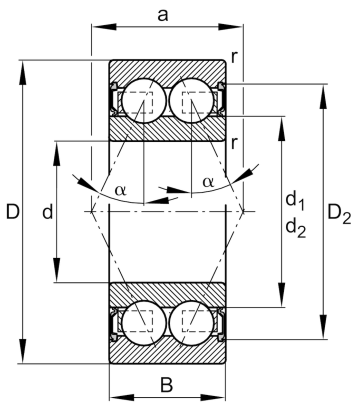


**3816-2RS**

Angular contact ball bearing

Angular contact ball bearing 38..-B-2RS-TVH, double row, seals, plastic cage

Technical information

**Main Dimensions & Performance Data**

d	80 mm	Bore diameter
D	100 mm	Outside diameter
B	15 mm	Width
C_r	19.200 N	Basic dynamic load rating, radial
C_{0r}	24.800 N	Basic static load rating, radial
C_{ur}	1.430 N	Fatigue load limit, radial
n_G	3.100 1/min	Limiting speed
$\approx m$	0,23 kg	Weight

Mounting dimensions

$d_{a \min}$	83,2 mm	Minimum diameter shaft shoulder
$D_{a \max}$	96,8 mm	Maximum diameter of housing shoulder
$r_{a \max}$	0,6 mm	Maximum fillet radius

Dimensions

r_{\min}	0,6 mm	Minimum chamfer dimension
D_1	93,47 mm	Shoulder diameter outer ring
D_2	95,33 mm	Caliber diameter outer ring
d_1	86,7 mm	Shoulder diameter inner ring
d_2	85,53 mm	Caliber diameter inner ring
a	47,8 mm	Distance between the apexes of the pressure cones
α	25 °	Contact angle

Temperature range

T_{\min}	-20 °C	Operating temperature min.
T_{\max}	100 °C	Operating temperature max.