

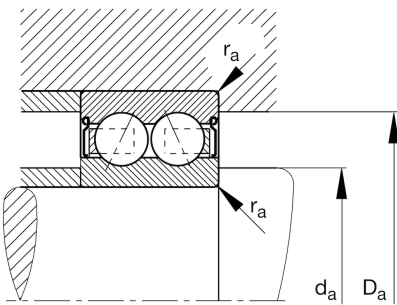
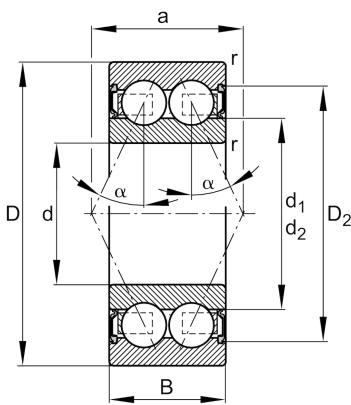
**3812-2RS**

Angular contact ball bearing



Angular contact ball bearing 38..-B-2RS-TVH, double row, seals, plastic cage

Technical information

**Main Dimensions & Performance Data**

d	60 mm	Bore diameter
D	78 mm	Outside diameter
B	14 mm	Width
C_r	14.200 N	Basic dynamic load rating, radial
C_{0r}	17.100 N	Basic static load rating, radial
C_{ur}	970 N	Fatigue load limit, radial
n_G	4.050 1/min	Limiting speed
$\approx m$	0,15 kg	Weight

Mounting dimensions

$d_{a \min}$	62 mm	Minimum diameter shaft shoulder
$D_{a \max}$	76 mm	Maximum diameter of housing shoulder
$r_{a \max}$	0,3 mm	Maximum fillet radius

Dimensions

r_{\min}	0,3 mm	Minimum chamfer dimension
D_1	72,88 mm	Shoulder diameter outer ring
D_2	74,72 mm	Caliber diameter outer ring
d_1	67,1 mm	Shoulder diameter inner ring
d_2	65,68 mm	Caliber diameter inner ring
a	38,1 mm	Distance between the apexes of the pressure cones
α	25 °	Contact angle

Temperature range

T_{\min}	-20 °C	Operating temperature min.
T_{\max}	100 °C	Operating temperature max.