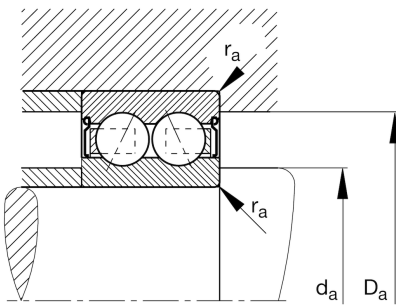
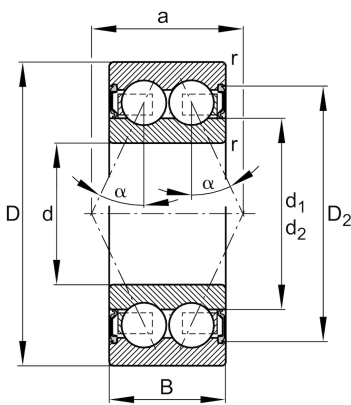


**3809-2RS**

Angular contact ball bearing

Angular contact ball bearing 38.-B-2RS-TVH, double row, seals, plastic cage

## Technical information

**Main Dimensions & Performance Data**

d	45 mm	Bore diameter
D	58 mm	Outside diameter
B	10 mm	Width
$C_r$	7.000 N	Basic dynamic load rating, radial
$C_{0r}$	8.100 N	Basic static load rating, radial
$C_{ur}$	465 N	Fatigue load limit, radial
$n_G$	5.500 1/min	Limiting speed
$\approx m$	0,058 kg	Weight

**Mounting dimensions**

$d_{a \min}$	47 mm	Minimum diameter shaft shoulder
$D_{a \max}$	56 mm	Maximum diameter of housing shoulder
$r_{a \max}$	0,3 mm	Maximum fillet radius

**Dimensions**

$r_{\min}$	0,3 mm	Minimum chamfer dimension
$D_1$	53,47 mm	Shoulder diameter outer ring
$D_2$	54,53 mm	Caliber diameter outer ring
$d_1$	49,6 mm	Shoulder diameter inner ring
$d_2$	48,14 mm	Caliber diameter inner ring
a	27,5 mm	Distance between the apexes of the pressure cones
$\alpha$	25 °	Contact angle

**Temperature range**

$T_{\min}$	-20 °C	Operating temperature min.
$T_{\max}$	100 °C	Operating temperature max.