

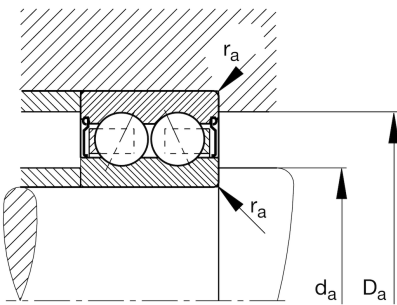
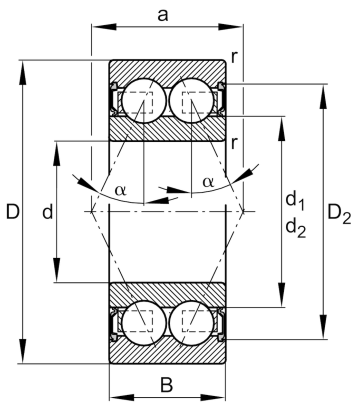
**3808-2RS**

Angular contact ball bearing



Angular contact ball bearing 38.-B-2RS-TVH, double row, seals, plastic cage

Technical information

**Main Dimensions & Performance Data**

| | | |
|-------------|-------------|-----------------------------------|
| d | 40 mm | Bore diameter |
| D | 52 mm | Outside diameter |
| B | 10 mm | Width |
| C_r | 6.900 N | Basic dynamic load rating, radial |
| C_{0r} | 7.600 N | Basic static load rating, radial |
| C_{ur} | 430 N | Fatigue load limit, radial |
| n_G | 6.100 1/min | Limiting speed |
| $\approx m$ | 0,046 kg | Weight |

Mounting dimensions

| | | |
|--------------|--------|--------------------------------------|
| $d_{a \min}$ | 42 mm | Minimum diameter shaft shoulder |
| $D_{a \max}$ | 50 mm | Maximum diameter of housing shoulder |
| $r_{a \max}$ | 0,3 mm | Maximum fillet radius |

Dimensions

| | | |
|------------|----------|---|
| r_{\min} | 0,3 mm | Minimum chamfer dimension |
| D_1 | 48,54 mm | Shoulder diameter outer ring |
| D_2 | 49,6 mm | Caliber diameter outer ring |
| d_1 | 44,6 mm | Shoulder diameter inner ring |
| d_2 | 43,54 mm | Caliber diameter inner ring |
| a | 25,2 mm | Distance between the apexes of the pressure cones |
| α | 25 ° | Contact angle |

Temperature range

| | | |
|------------|--------|----------------------------|
| T_{\min} | -20 °C | Operating temperature min. |
| T_{\max} | 100 °C | Operating temperature max. |