

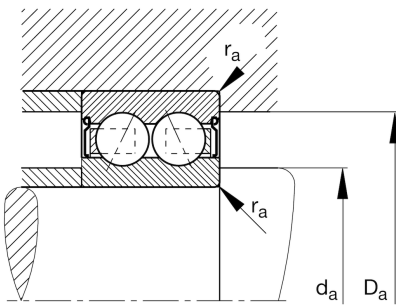
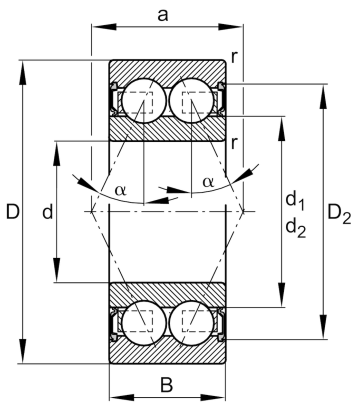
**3800-2RS**

Angular contact ball bearing



Angular contact ball bearing 38.-B-2RS-TVH, double row, seals, plastic cage

Technical information

**Main Dimensions & Performance Data**

d	10 mm	Bore diameter
D	19 mm	Outside diameter
B	7 mm	Width
C_r	2.080 N	Basic dynamic load rating, radial
C_{0r}	1.370 N	Basic static load rating, radial
C_{ur}	72 N	Fatigue load limit, radial
n_G	21.100 1/min	Limiting speed
$\approx m$	0,009 kg	Weight

Mounting dimensions

$d_{a \min}$	12 mm	Minimum diameter shaft shoulder
$D_{a \max}$	17 mm	Maximum diameter of housing shoulder
$r_{a \max}$	0,3 mm	Maximum fillet radius

Dimensions

r_{\min}	0,3 mm	Minimum chamfer dimension
D_1	15,85 mm	Shoulder diameter outer ring
D_2	16,85 mm	Caliber diameter outer ring
d_1	13,3 mm	Shoulder diameter inner ring
d_2	12,23 mm	Caliber diameter inner ring
a	9 mm	Distance between the apexes of the pressure cones
α	25 °	Contact angle

Temperature range

T_{\min}	-20 °C	Operating temperature min.
T_{\max}	100 °C	Operating temperature max.