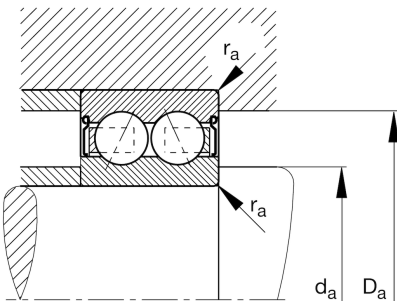
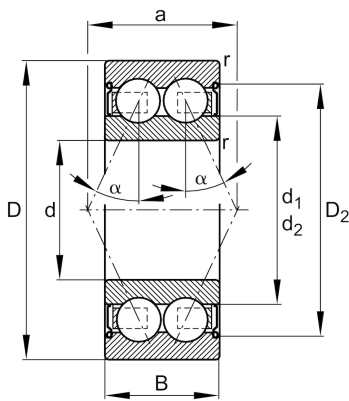


**FAG****30/8-B-2Z-TVH**

Angular contact ball bearing

Schaeffler ID:  
0724338760000Angular contact ball bearing 30..-B-2Z-  
TVH, double row, shields, plastic cage

## Technical information

**Main Dimensions & Performance Data**

d	8 mm	Bore diameter
D	22 mm	Outside diameter
B	11 mm	Width
$C_r$	5.100 N	Basic dynamic load rating, radial
$C_{0r}$	2.600 N	Basic static load rating, radial
$C_{ur}$	140 N	Fatigue load limit, radial
$n_G$	26.000 1/min	Limiting speed
$n_{gr}$	26.000 1/min	Reference speed
$\approx m$	0,022 kg	Weight

**Mounting dimensions**

$d_{a \min}$	10 mm	Minimum diameter shaft shoulder
$D_{a \max}$	20 mm	Maximum diameter of housing shoulder
$r_{a \max}$	0,3 mm	Maximum fillet radius

**Dimensions**

$r_{\min}$	0,3 mm	Minimum chamfer dimension
$D_2$	19 mm	Caliber diameter outer ring
$d_2$	10,5 mm	Caliber diameter inner ring
a	11,2 mm	Distance between the apexes of the pressure cones
$\alpha$	25 °	Contact angle

**Temperature range**

$T_{\min}$	-20 °C	Operating temperature min.
$T_{\max}$	120 °C	Operating temperature max.