

3011 SERIES

Pull Action Latch Clamps | Product Overview

Features:

- Heavy duty cast steel or stainless steel construction with ergonomic handle
- Replaceable stainless steel pivot pins

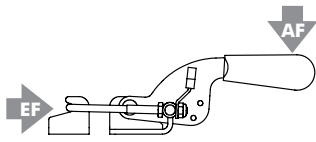
Applications:

- Molding
- Closures for doors, lids, covers
- Assembly

3011

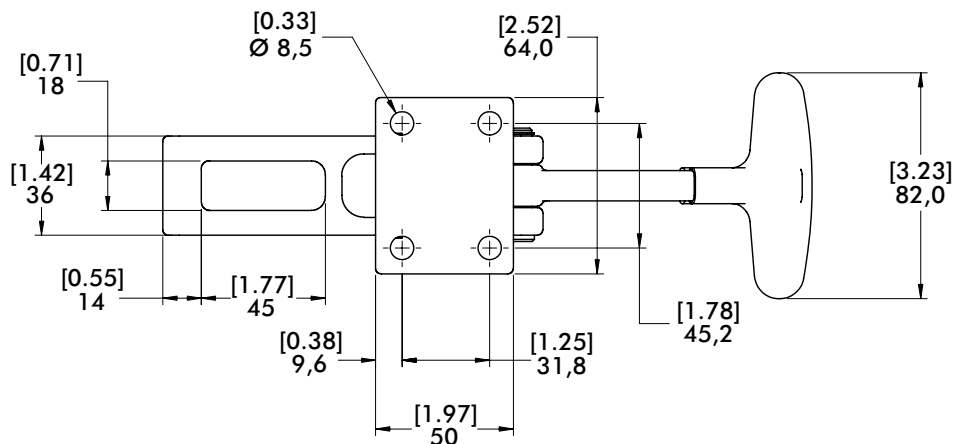
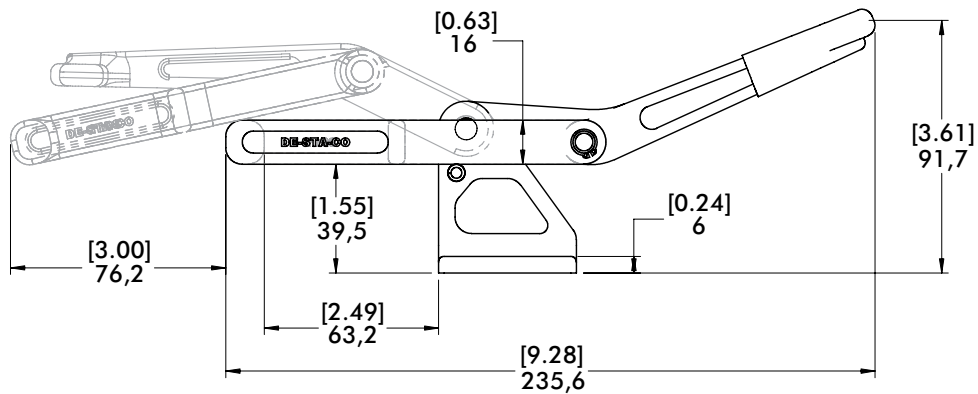


Technical Information | Holding Capacities | Dimensions



Model	Max. Holding Capacity	Weight	EF:AF	Drawing Movement
3011	8900 N [2000 lbf]	0,91kg [2.00lb]	31:1	76,2 [3.00]

EF = Exerting Force, AF = Applied Force



mm [INCH]
THIRD ANGLE PROJECTION