



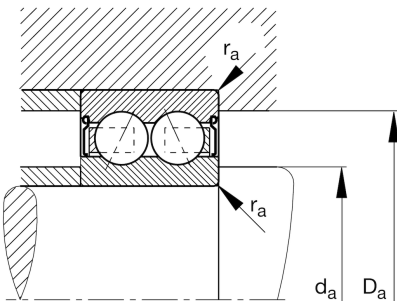
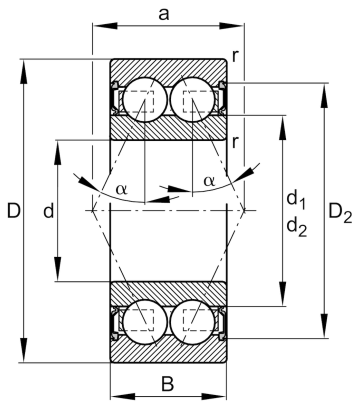
## 3007-2RS

Angular contact ball bearing

Schaeffler ID:  
0008755200000

Angular contact ball bearing 30..-B-2RS-TVH, double row, seals, plastic cage

### Technical information



### Main Dimensions & Performance Data

d	35 mm	Bore diameter
D	62 mm	Outside diameter
B	20 mm	Width
$C_r$	24.000 N	Basic dynamic load rating, radial
$C_{0r}$	19.100 N	Basic static load rating, radial
$C_{ur}$	1.000 N	Fatigue load limit, radial
$n_G$	6.400 1/min	Limiting speed
$\approx m$	0,217 kg	Weight

### Mounting dimensions

$d_{a \min}$	39,6 mm	Minimum diameter shaft shoulder
$D_{a \max}$	57,4 mm	Maximum diameter of housing shoulder
$r_{a \max}$	1 mm	Maximum fillet radius

### Dimensions

$r_{\min}$	1 mm	Minimum chamfer dimension
$D_2$	55,3 mm	Caliber diameter outer ring
$d_2$	40,5 mm	Caliber diameter inner ring
a	30,9 mm	Distance between the apexes of the pressure cones
$\alpha$	25 °	Contact angle

### Temperature range

$T_{\min}$	-20 °C	Operating temperature min.
$T_{\max}$	100 °C	Operating temperature max.