



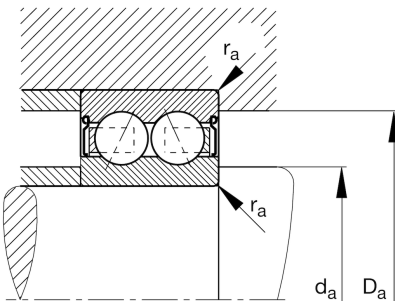
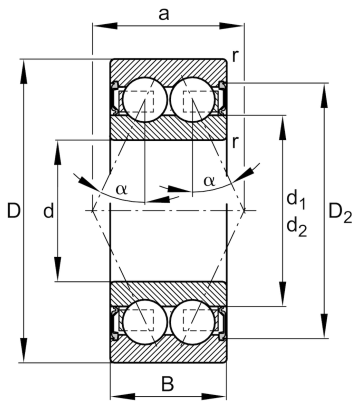
3004-2RS-C3

Angular contact ball bearing

Schaeffler ID:
0009588400030

Angular contact ball bearing 30..-B-2RS-TVH, double row, seals, plastic cage

Technical information



Main Dimensions & Performance Data

d	20 mm	Bore diameter
D	42 mm	Outside diameter
B	16 mm	Width
C_r	14.300 N	Basic dynamic load rating, radial
C_{0r}	9.400 N	Basic static load rating, radial
C_{ur}	490 N	Fatigue load limit, radial
n_G	10.500 1/min	Limiting speed
$\approx m$	93 g	Weight

Mounting dimensions

$d_{a \min}$	23,2 mm	Minimum diameter shaft shoulder
$D_{a \max}$	38,8 mm	Maximum diameter of housing shoulder
$r_{a \max}$	0,6 mm	Maximum fillet radius

Dimensions

r_{\min}	0,6 mm	Minimum chamfer dimension
D_2	36,4 mm	Caliber diameter outer ring
d_2	25,3 mm	Caliber diameter inner ring
a	21,1 mm	Distance between the apexes of the pressure cones
α	25 °	Contact angle

Temperature range

T_{\min}	-20 °C	Operating temperature min.
T_{\max}	100 °C	Operating temperature max.