



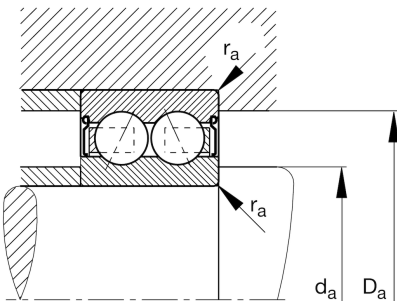
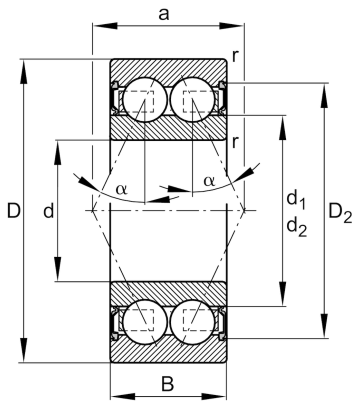
3002-2RS-C3

Angular contact ball bearing

Schaeffler ID:
0008710100030

Angular contact ball bearing 30..-B-2RS-TVH, double row, seals, plastic cage

Technical information



Main Dimensions & Performance Data

d	15 mm	Bore diameter
D	32 mm	Outside diameter
B	13 mm	Width
C_r	8.500 N	Basic dynamic load rating, radial
C_{0r}	5.400 N	Basic static load rating, radial
C_{ur}	280 N	Fatigue load limit, radial
n_G	12.900 1/min	Limiting speed
$\approx m$	43 g	Weight

Mounting dimensions

$d_{a \min}$	17 mm	Minimum diameter shaft shoulder
$D_{a \max}$	30 mm	Maximum diameter of housing shoulder
$r_{a \max}$	0,3 mm	Maximum fillet radius

Dimensions

r_{\min}	0,3 mm	Minimum chamfer dimension
D_2	27,9 mm	Caliber diameter outer ring
d_2	19,7 mm	Caliber diameter inner ring
a	18,4 mm	Distance between the apexes of the pressure cones
α	25 °	Contact angle

Temperature range

T_{\min}	-20 °C	Operating temperature min.
T_{\max}	100 °C	Operating temperature max.