

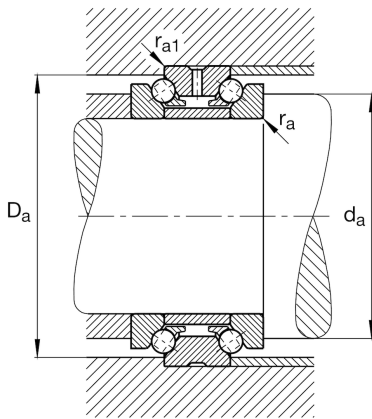
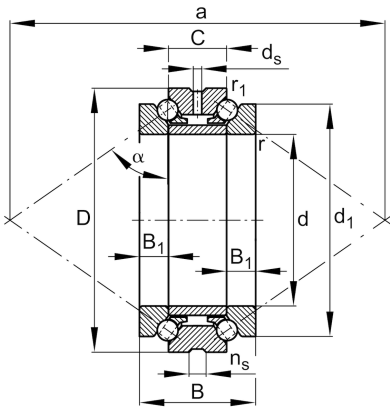
FAG

234438-M-SP

Axial angular contact ball bearing

Schaeffler ID:
0384397860000Axial angular contact ball bearings 2344,
double direction, separable, restricted
tolerances

Technical information

**Main Dimensions & Performance Data**

d	190 mm	Bore diameter
D	290 mm	Outside diameter
B	120 mm	Width
C	60 mm	Width, outer ring
C _a	246.000 N	Basic dynamic load rating, axial
C _{0a}	940.000 N	Basic static load rating, axial
C _{ua}	56.000 N	Fatigue load limit, axial
n _{G Grease}	1.900 1/min	Limiting speed for grease lubrication
n _{G Oil}	2.800 1/min	Limiting speed for oil lubrication
≈m	24,814 kg	Weight

Mounting dimensions

d _a	231 mm	Diameter shaft shoulder
d _a	h12	Diameter shaft shoulder clearance
D _a	273 mm	Shoulder diameter outer ring
D _a	H12	Shoulder diameter outer ring clearance
r _{a max}	2,1 mm	Maximum recess radius
r _{a1 max}	0,6 mm	Maximum recess radius
α	60 °	Contact angle
a	482,5 mm	Distance between the apexes of the pressure cones

Dimensions

d ₁	258 mm	Rip diameter shaft washer
B ₁	30 mm	Height wave disc
r _{min}	2,1 mm	Minimum chamfer dimension
r _{1 min}	0,6 mm	Minimum chamfer dimension
d _s	8 mm	Diameter lubrication hole
n _s	15 mm	Width of lubricating groove

Temperature range

T_{\min}	-30 °C	Operating temperature min.
T_{\max}	150 °C	Operating temperature max.

Additional information

c_a	1.495 N/ μm	Axial rigidity
K_{aE}	6.021 N	Lift-off force
F_v	2.110 N	Preload force