

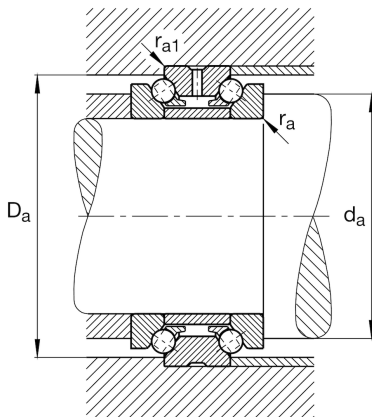
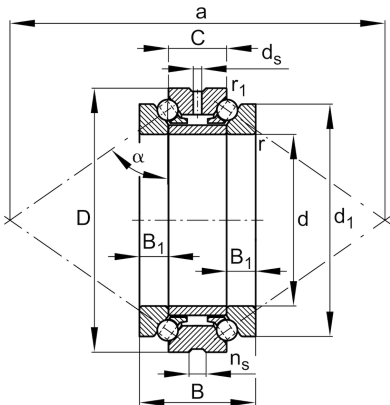
FAG

**234426-M-SP**

Axial angular contact ball bearing

Schaeffler ID:  
0190389680000Axial angular contact ball bearings 2344,  
double direction, separable, restricted  
tolerances

## Technical information

**Main Dimensions & Performance Data**

d	130 mm	Bore diameter
D	200 mm	Outside diameter
B	84 mm	Width
C	42 mm	Width, outer ring
C <sub>a</sub>	128.000 N	Basic dynamic load rating, axial
C <sub>0a</sub>	440.000 N	Basic static load rating, axial
C <sub>ua</sub>	31.500 N	Fatigue load limit, axial
n <sub>G Grease</sub>	2.800 1/min	Limiting speed for grease lubrication
n <sub>G Oil</sub>	3.800 1/min	Limiting speed for oil lubrication
≈m	8,28 kg	Weight

**Mounting dimensions**

d <sub>a</sub>	159 mm	Diameter shaft shoulder
d <sub>a</sub>	h12	Diameter shaft shoulder clearance
D <sub>a</sub>	188 mm	Shoulder diameter outer ring
D <sub>a</sub>	H12	Shoulder diameter outer ring clearance
r <sub>a max</sub>	2 mm	Maximum recess radius
r <sub>a1 max</sub>	0,6 mm	Maximum recess radius
α	60 °	Contact angle
a	333 mm	Distance between the apexes of the pressure cones

**Dimensions**

d <sub>1</sub>	177 mm	Rip diameter shaft washer
B <sub>1</sub>	21 mm	Height wave disc
r <sub>min</sub>	2 mm	Minimum chamfer dimension
r <sub>1 min</sub>	0,6 mm	Minimum chamfer dimension
d <sub>s</sub>	6,3 mm	Diameter lubrication hole
n <sub>s</sub>	12,2 mm	Width of lubricating groove

**Temperature range**

$T_{\min}$	-30 °C	Operating temperature min.
$T_{\max}$	150 °C	Operating temperature max.

**Additional information**

$c_a$	978 N/μm	Axial rigidity
$K_{aE}$	2.570 N	Lift-off force
$F_v$	900 N	Preload force