

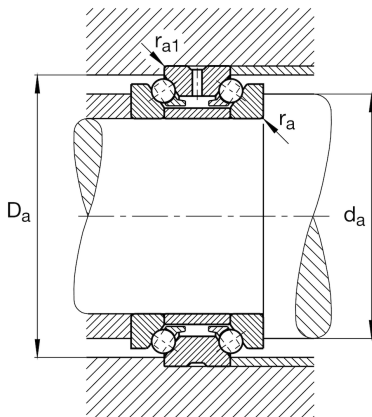
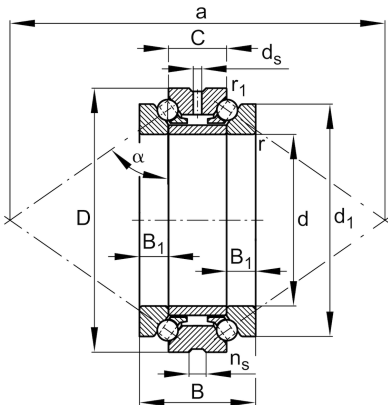
FAG

**234408-M-SP**

Axial angular contact ball bearing

Schaeffler ID:  
0190387630000Axial angular contact ball bearings 2344,  
double direction, separable, restricted  
tolerances

## Technical information

**Main Dimensions & Performance Data**

d	40 mm	Bore diameter
D	68 mm	Outside diameter
B	36 mm	Width
C	18 mm	Width, outer ring
C <sub>a</sub>	22.800 N	Basic dynamic load rating, axial
C <sub>0a</sub>	58.000 N	Basic static load rating, axial
C <sub>ua</sub>	5.400 N	Fatigue load limit, axial
n <sub>G Grease</sub>	8.500 1/min	Limiting speed for grease lubrication
n <sub>G Oil</sub>	12.000 1/min	Limiting speed for oil lubrication
≈m	0,464 kg	Weight

**Mounting dimensions**

d <sub>a</sub>	51,5 mm	Diameter shaft shoulder
d <sub>a</sub>	h12	Diameter shaft shoulder clearance
D <sub>a</sub>	63,5 mm	Shoulder diameter outer ring
D <sub>a</sub>	H12	Shoulder diameter outer ring clearance
r <sub>a max</sub>	1 mm	Maximum recess radius
r <sub>a1 max</sub>	0,15 mm	Maximum recess radius
α	60 °	Contact angle
a	113,5 mm	Distance between the apexes of the pressure cones

**Dimensions**

d <sub>1</sub>	58,5 mm	Rip diameter shaft washer
B <sub>1</sub>	9 mm	Height wave disc
r <sub>min</sub>	1 mm	Minimum chamfer dimension
r <sub>1 min</sub>	0,15 mm	Minimum chamfer dimension
d <sub>s</sub>	3,2 mm	Diameter lubrication hole
n <sub>s</sub>	4,8 mm	Width of lubricating groove

**Temperature range**

$T_{\min}$	-30 °C	Operating temperature min.
$T_{\max}$	150 °C	Operating temperature max.

**Additional information**

$c_a$	355 N/μm	Axial rigidity
$K_{aE}$	456 N	Lift-off force
$F_v$	160 N	Preload force