

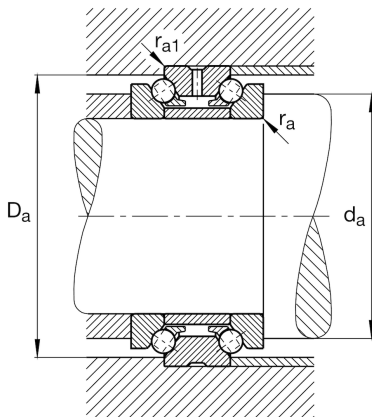
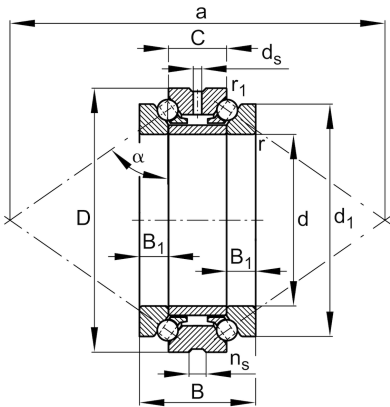
FAG

**234407-M-SP**

Axial angular contact ball bearing

Schaeffler ID:  
0190387550000Axial angular contact ball bearings 2344,  
double direction, separable, restricted  
tolerances

## Technical information

**Main Dimensions & Performance Data**

d	35 mm	Bore diameter
D	62 mm	Outside diameter
B	34 mm	Width
C	17 mm	Width, outer ring
C <sub>a</sub>	19.100 N	Basic dynamic load rating, axial
C <sub>0a</sub>	46.500 N	Basic static load rating, axial
C <sub>ua</sub>	4.300 N	Fatigue load limit, axial
n <sub>G Grease</sub>	9.500 1/min	Limiting speed for grease lubrication
n <sub>G Oil</sub>	1.400 1/min	Limiting speed for oil lubrication
≈m	375,94 g	Weight

**Mounting dimensions**

d <sub>a</sub>	46,5 mm	Diameter shaft shoulder
d <sub>a</sub>	h12	Diameter shaft shoulder clearance
D <sub>a</sub>	57 mm	Shoulder diameter outer ring
D <sub>a</sub>	H12	Shoulder diameter outer ring clearance
r <sub>a max</sub>	1 mm	Maximum recess radius
r <sub>a1 max</sub>	0,15 mm	Maximum recess radius
α	60 °	Contact angle
a	103 mm	Distance between the apexes of the pressure cones

**Dimensions**

d <sub>1</sub>	53 mm	Rip diameter shaft washer
B <sub>1</sub>	8,5 mm	Height wave disc
r <sub>min</sub>	1 mm	Minimum chamfer dimension
r <sub>1 min</sub>	0,15 mm	Minimum chamfer dimension
d <sub>s</sub>	3,2 mm	Diameter lubrication hole
n <sub>s</sub>	4,8 mm	Width of lubricating groove

**Temperature range**

$T_{\min}$	-30 °C	Operating temperature min.
$T_{\max}$	150 °C	Operating temperature max.

**Additional information**

$c_a$	316 N/ $\mu\text{m}$	Axial rigidity
$K_{aE}$	382 N	Lift-off force
$F_v$	134 N	Preload force