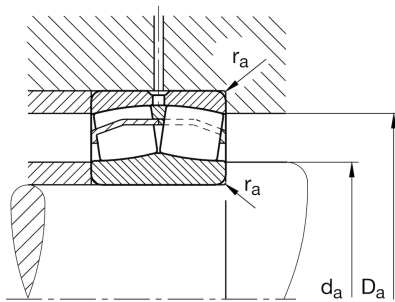
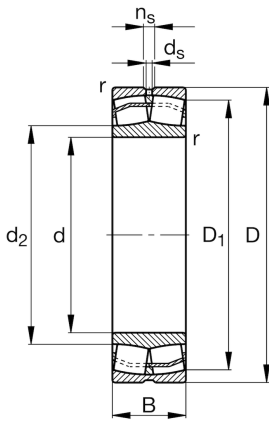
**22309-E1-XL-T41A**

Spherical Roller Bearing

Spherical roller bearing 223..-E1-XL-T41A, symmetric with cage guidance ring

Technical information

**Main Dimensions & Performance Data**

d	45 mm	Bore diameter
D	100 mm	Outside diameter
B	36 mm	Width
C _r	187.000 N	Basic dynamic load rating, radial
C _{0r}	183.000 N	Basic static load rating, radial
C _{ur}	16.500 N	Fatigue load limit, radial
n _G	6.800 1/min	Limiting speed
n _{gr}	5.000 1/min	Reference speed
≈m	1,371 kg	Weight

Mounting dimensions

d _{a min}	54 mm	Minimum diameter shaft shoulder
D _{a max}	91 mm	Maximum diameter of housing shoulder
r _{a max}	1,5 mm	Maximum recess radius

Dimensions

r _{min}	1,5 mm	Minimum chamfer dimension
D ₁	84,7 mm	Bore diameter outer ring
d ₂	58,9 mm	Raceway diameter of the inner ring
d _s	3,2 mm	Diameter lubrication hole
n _s	6,5 mm	Width of lubricating groove

Temperature range

T _{min}	-30 °C	Operating temperature min.
T _{max}	200 °C	Operating temperature max.



[View product details on medias](#)

10.06.2024, 16:41:16 CEST

SCHAEFFLER

Calculation factors

e	0,36	Limiting value of Fa/Fr for the applicability of diff. Values of factors X and Y
Y ₁	1,9	Dynamic axial load factor
Y ₂	2,83	Dynamic axial load factor
Y ₀	1,86	Static axial load factor